

# PARCS IDEA WALL

A free-standing wall element with integrated communication and media connectivity. The Idea Wall provides a screen for sharing information as well as a neat partitioning solution. Several models are available; the Idea Wall high - which can be combined with a standing meeting table or

Causeway setting, the Idea Wall low - complete with a swivel table ideal for seated meetings and video conferences, the Idea Wall Bridge - featuring a bar table for spontaneous discussions, or the L-shaped Idea Wall Corner for frontal presentations.

**Design: PearsonLloyd**



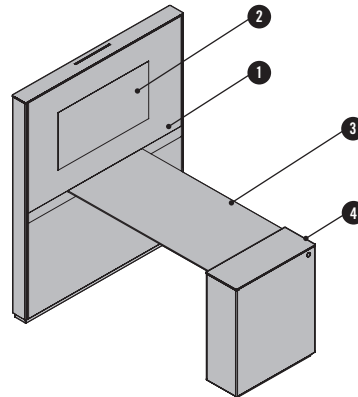
## PRODUCT DESCRIPTION

### IDEA WALLS

The Media Wall of the Idea Wall is a PARCS wall with a setup for an LCD screen and speaker. The LCD screen in the top wall panel is either placed behind a partially varnished glass panel or in a cut-out in a varnished MDF board. In addition, a speaker element is integrated between the bottom and top wall panel on the front (the fabric of the speaker cover is always black).

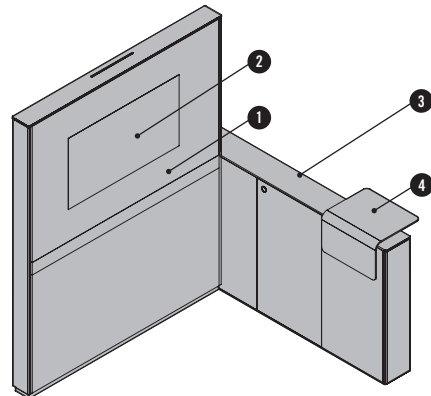
### IDEA WALL BRIDGE

- 1 **Media Wall**
- 2 **Screen:** NEC V463 (Screen must be ordered separately)
- 3 **Table top:** 1.800 x 840 mm made of varnished or veneered MDF. A plug box (must be ordered separately) made of AL anodised aluminium is integrated in the table top. This is mounted flush in the table top.
- 4 **Hinged door cabinet:** Width 900 mm, Depth 350 mm, Height 1.110 mm  
The storage element is equipped with a dual rear wall to cover the reinforcing frames of the Idea Wall Bridge. The inner width of the storage element is therefore only 230 mm.



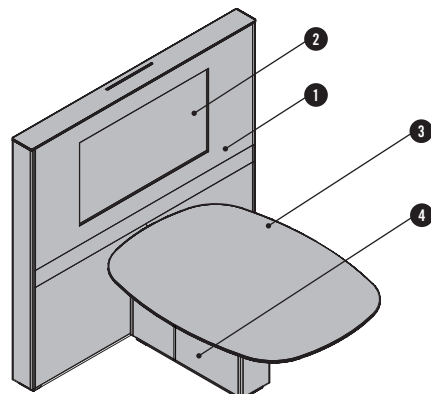
### IDEA WALL CORNER

- 1 **Media Wall**
- 2 **Screen:** NEC V463 (Screen must be ordered separately)
- 3 **Hinged door cabinet:** Width 1.800 mm, Depth 230 mm, Height 1.110 mm. Cabling can be channeled through the storage element, hidden from view and connected to a integrated connection plug board (ordered separately).
- 4 **Ply Tray:** A fixed position Ply Tray is included in the package. The tray is made from shaped wood with a veneered surface, when the body and top plate of the cabinet are varnished, or with a varnished surface when the body and top plate of the cabinet are veneered. Dimensions: Width 500 mm, Depth 420 mm, Height 300 mm.



### IDEA WALL LOW WITH TABLE - WIDTH 1.400 MM/1.800 MM

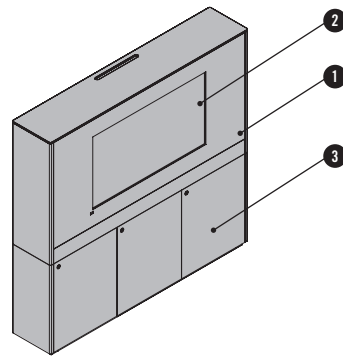
- 1 **Media Wall**
- 2 **Screen:** NEC V463 (Screen must be ordered separately)
- 3 **Table top:** Soft Edge 1.350/1.050 or 1.550 x 1.150 mm made of varnished or veneered MDF. The table top can also be equipped optionally with a 90° swivel function.
- 4 **Storage:** underneath the table top with a useable width of 550 mm and useable depth of 190 mm.



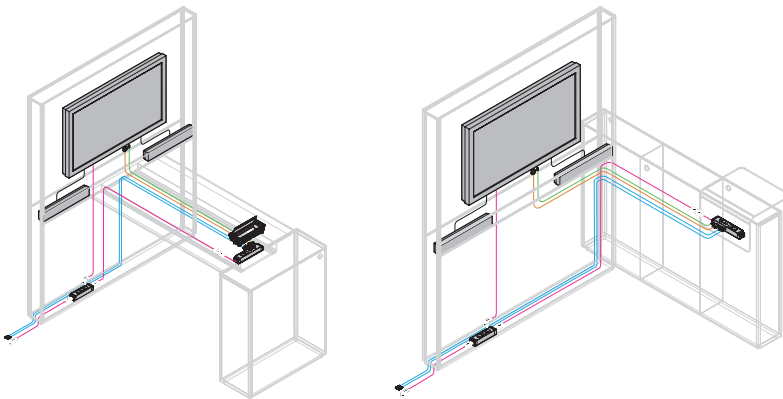
## PRODUCT DESCRIPTION

### IDEA WALL LOW FREE-STANDING

- ❶ **Media Wall:** On the foundation of the PARCS storage element, a media attachment is used in preparation for an LCD screen and speakers. The LCD screen in the media attachment is placed either behind a partially varnished glass pane or in a cut-out in a varnished MDF board.
- ❷ **Screen:** NEC V463 (Screen must be ordered separately)
- ❸ **Bottom cabinet:** The inner width of the bottom cabinet is 230 mm. There are also cable feedthroughs to the floor.



### CABLING OF THE IDEA WALL BRIDGE/IDEA WALL CORNER



#### Includes the following:

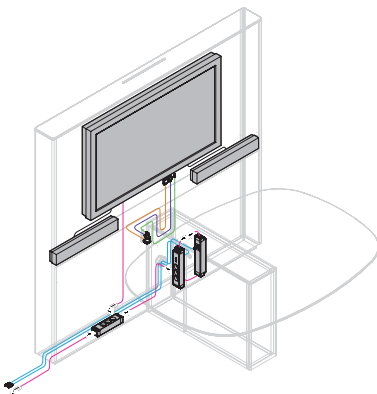
- Connection plug board with 3 power sockets
- Connection plug board with 2 power sockets
- 2x data connections
- 1x VGA/HDMI audio connection
- 1x electrical starter cable GST18 3.000 mm
- 1x electrical interconnecting cable GST18 5.000 mm
- 2x interconnecting network cable for CAT6 5.000 mm
- 1x Interconnecting VGA/HDMI Audio cable 3.000 mm

#### Connecting cable set consisting of:

- 1x network cable CAT6
- 1x audio cable
- 1x VGA/HDMI cable and one cable case

Cable length each 1.200 mm for connecting cables.

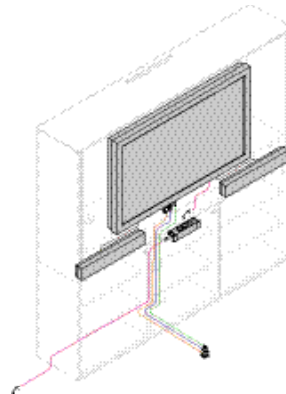
### CABLING OF THE IDEA WALL LOW WITH TABLE



#### Includes the following:

- Connection plug board with 3 power sockets
- 2x connection plug board each with 3x power sockets and 2x data connections
- 1x electrical starter cable GST18 3.000 mm
- 1x electrical interconnecting cable GST18 2.000 mm
- 4x interconnecting network cable for CAT6 5.000 mm
- 1x Interconnecting VGA cable 2.500 mm/HDMI cable 2.000 mm
- 2x connecting network cable for CAT6 1.200 mm
- Audio cable 2.500 mm

### CABLING OF THE IDEA WALL LOW FREE-STANDING

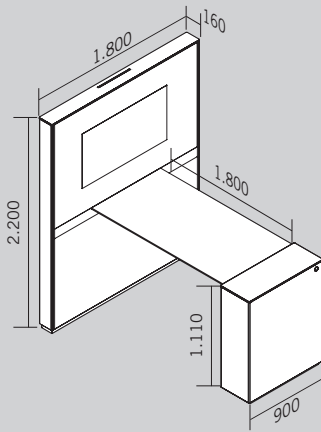


#### Includes the following:

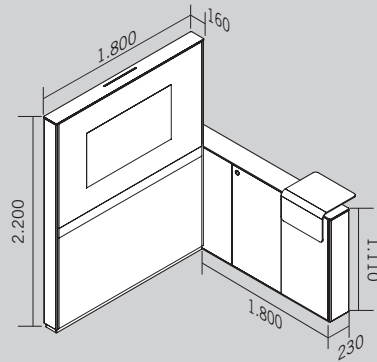
- Connection plug board with 3 power sockets
- 1x electrical starter cable GST18 3.000 mm
- 1x Interconnecting VGA/Audio cable 5.000 mm
- 1x Interconnecting HDMI cable 5.000 mm

## OVERVIEW & DIMENSIONS

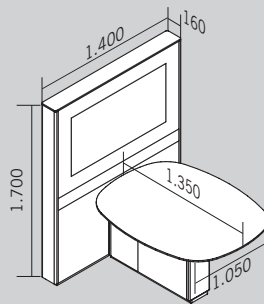
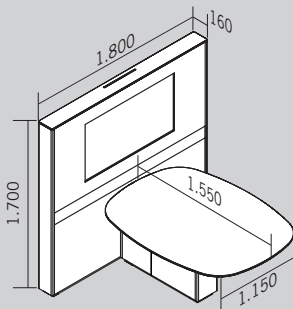
**IDEA WALL BRIDGE**



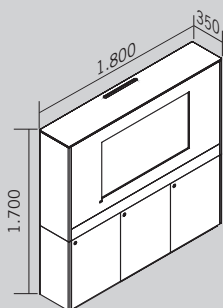
**IDEA WALL CORNER**



**IDEA WALL LOW WITH TABLE**



**IDEA WALL LOW FREE-STANDING**



Measurements in mm

## INSPIRATIONS



Idea Wall low with table, screen behind glass and Club Chair.

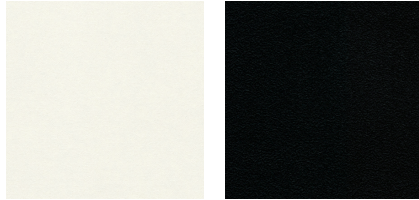


Idea Wall Bridge with screen behind glass and Wilkhahn Stitz.

## COLOURS & MATERIALS

### MEDIA WALL - FRONT, \* REAR SIDE AND FRONT PANEL

#### MDF SURFACES: varnished



WI white

BS basalt

\*Rear side available in fabrics in price groups P0-P4, from the Bene seating furniture collection.

.....

### HINGED DOOR CABINET, TABLE TOPS, PLY TABLE AND BRIDGE

#### MDF SURFACES: Varnished

#### VENEER: Oak

#### VENEER: Walnut



WI white

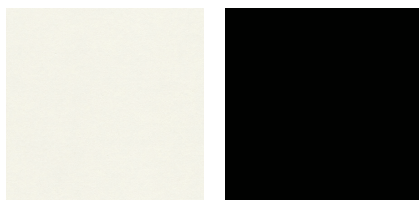
BS basalt

EY oak, sylv

EV oak, volcano

NF american walnut

#### \* GLASS SURFACES: Varnished



DW opaque white

DS opaque black

\*Only for hinged door cabinets from Idea Wall Bridge and Idea Wall Corner.

## BENE WORKS SUSTAINABLY

Bene plays a leading role in responsible environmental management. This policy is practised throughout all company divisions – from product development, procurement, production and logistics to product recycling. Bene considers ecology to be a central element of its responsible and sustainable corporate strategy. Bene sees the legal regulations as minimum requirements and strives for better and more sustainable environmental protection throughout the group. Bene's environmental policy principle is: **Avoidance – Minimisation – Recycling – Disposal.**

### PARCS IDEA WALL – ECOLOGICAL STANDARDS

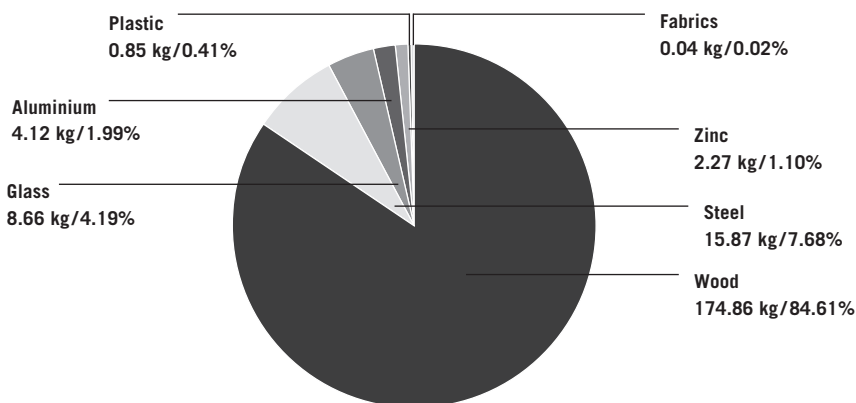
- 99.60% recyclable
- 82.40% renewable raw materials
- 49.93% use of recycled product materials (19.89% post-consumer, 30.05% pre-consumer)
- 32.69% use of recycled product materials that comply with LEED (19.89% post-consumer, 30.05% pre-consumer)
- Resource-conserving product design
- Use of materials tested for presence of hazardous substances
- No PVCs, chromium, lead or mercury
- Individual parts can be sorted according to homogeneous categories
- Recyclable, with a positive contribution to the carbon footprint(average 320.70 kg CO<sub>2</sub>)

## PARCS IDEA WALL LEED POINTS

Leadership in Energy and Environmental Design (LEED) is a system developed by the U.S. Green Building Council to classify ecological construction. As an internationally recognised standard, LEED sets out numerous guidelines for environmentally friendly, resource-efficient, and sustainable construction. The use of PARCS Idea Wall is an important contribution to LEED certification. The following criteria for this are from »LEED 2009 for Commercial Interiors«:

MR Credit 4	Recycled content	up to 2 points
MR Credit 5	Regional materials	up to 2 points
IEQ Credit 4.5	Material with low hazardous substance content	up to 1 point

### PARCS IDEA WALL MATERIAL COMPONENTS



Total weight of reference model: 206.70 kg

Environment-related information about Bene: [www.bene.com/sustainability](http://www.bene.com/sustainability)

