

FILO CHAIR

The Filo Chair embodies a new office chair type with very comfortable seating for conference, meeting and executive areas, as well as for workstations in the front office.

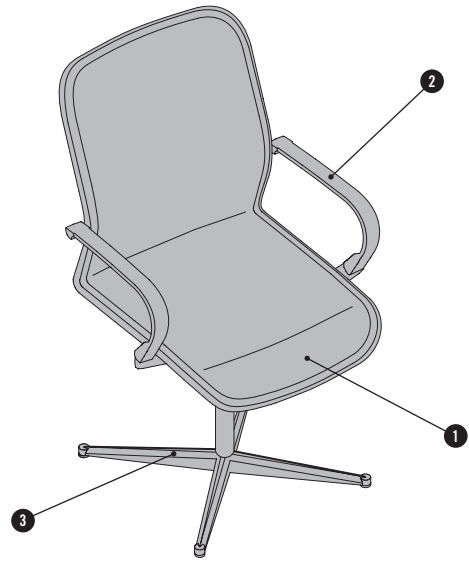
The Filo Chair offers permanent flexibility: Filo reacts synchronously to the user's micro-movements and becomes a tool for concentration. Lightness and finesse are hidden in the design.

Design: E00S for Keilhauer

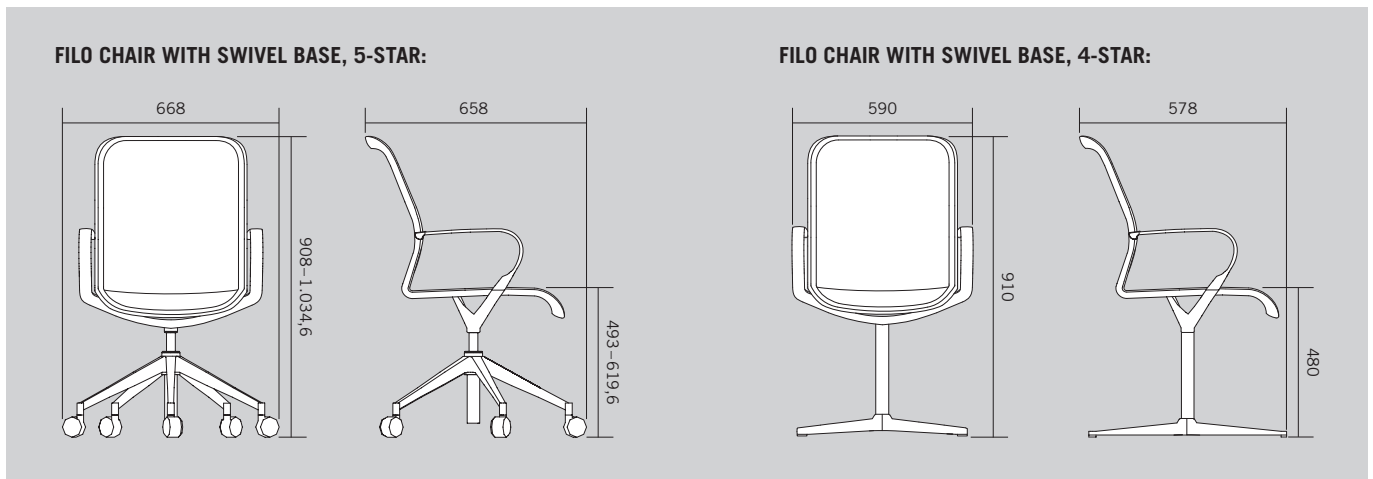


PRODUCT DESCRIPTION

- 1 **Shell:** seat and backrest covered in black mesh. Optional: only seat or seat and backrest upholstered in black leather.
- 2 **Armrests:** black thermoplastic. Optional: with leather pads in black.
- 3 **Base:** Polished aluminium. Available in two versions. Swivel 5-star base on castors, infinitely height adjustable from 470 to 600 mm using gas pressure spring. The plastic rollers are black in colour and available in two versions. Soft castors for hard floors, and hard castors for carpeted floors. Swivel 4-star base on glides with fixed height and integrated return mechanism. Plastic glides or optionally felt glides for hard floors

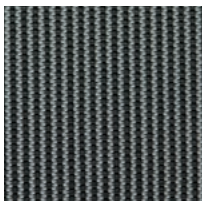


OVERVIEW & DIMENSIONS



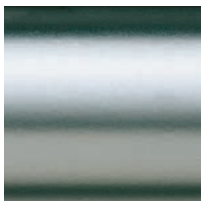
COLOURS & MATERIALS

MESH



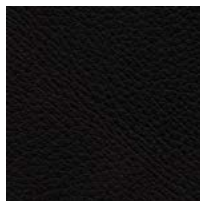
SZ black

METAL SURFACE



AP aluminium polished

LEATHER: Entrée



L1 black