

# SIDE\_S

SIDE\_S brings colour, wood, and comfort to the workplace and offers the functionality of personal accessory furniture provided in novel manner. An intelligent mix of mobile individual furniture elements inspires workstations that distinguish themselves

with a high level of comfort and enhanced options. Side by side, always within reach. The SIDE\_S range consists of pedestal, caddy, sideboard, and credenza, inspires the viewer with its characteristic design. Comfortable functionality in the office.

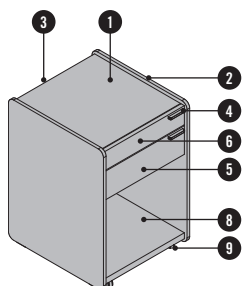


## PRODUCT DESCRIPTION

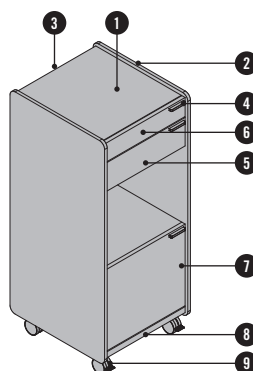
- ❶ **Top plate:** 25 mm chipboard, melamine
- ❷ **Visible side:** 12 mm plywood, veneered
- ❸ **Rear wall:** 16 mm chipboard, melamine
- ❹ **Handle:** available in aluminium WI white or SZ black
- ❺ **Low drawer:** 16 mm chipboard, melamine
- ❻ **Accessory tray:** 16 mm chipboard, melamine
- ❼ **Hinged door:** 16 mm chipboard, melamine
- ❽ **Bottom:** 25 mm chipboard, melamine
- ❾ **Castor:** soft or hard available (only with SIDE\_S Pedestal/Sideboard)
- ❿ **Runner:** with glides, in chrome, adjustable

Drawers and doors are dampened. Rear wall and front always have the same colour design.

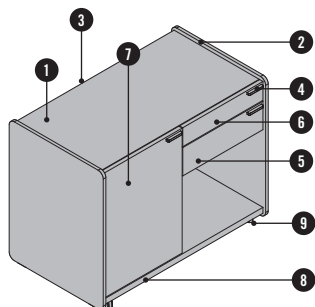
### SIDE\_S Pedestal



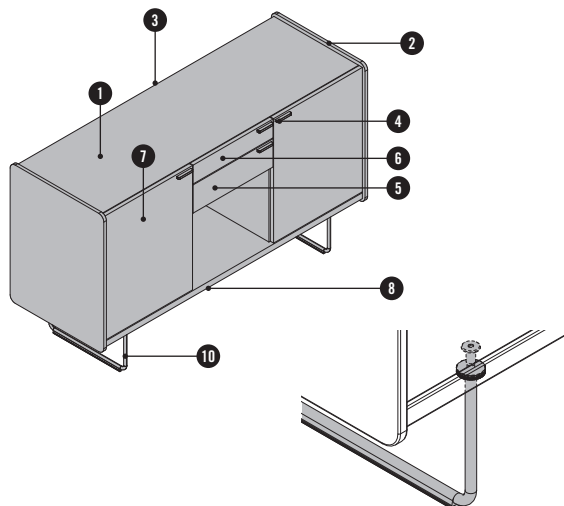
### SIDE\_S Caddy



### SIDE\_S Sideboard

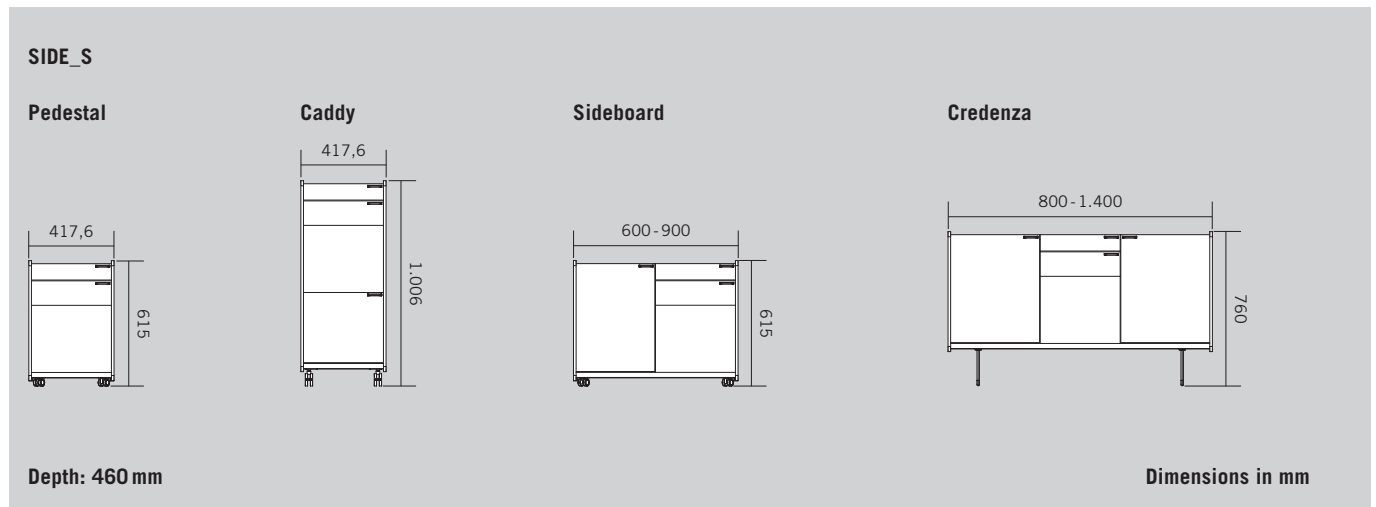


### SIDE\_S Credenza



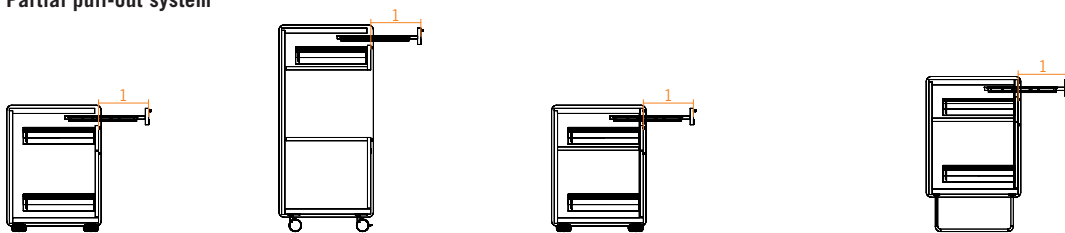
Runner levelling

## OVERVIEW & DIMENSIONS

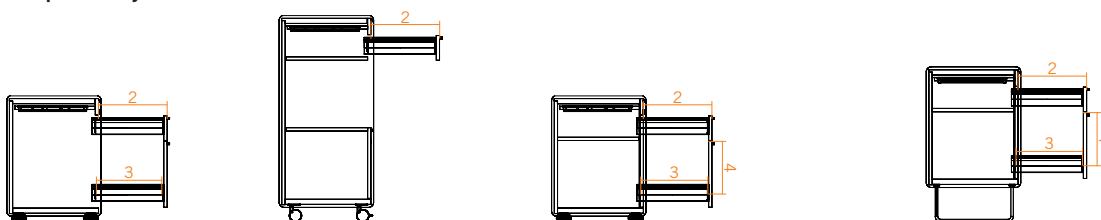


### DRAWERS

#### Partial pull-out system



#### Full pull-out system



- 1 pull-out length: 244 mm
- 2 pull-out length: 334 mm
- 3 useful depth: 332 mm
- 4 useful height: 261 mm

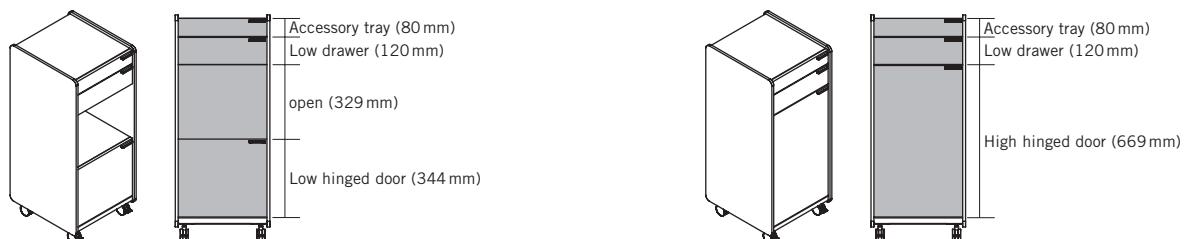
## OPTIONS

### FRONT DESIGNS

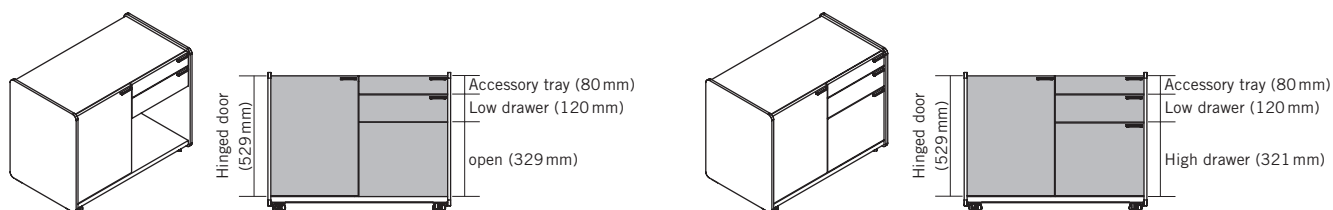
#### Pedestal



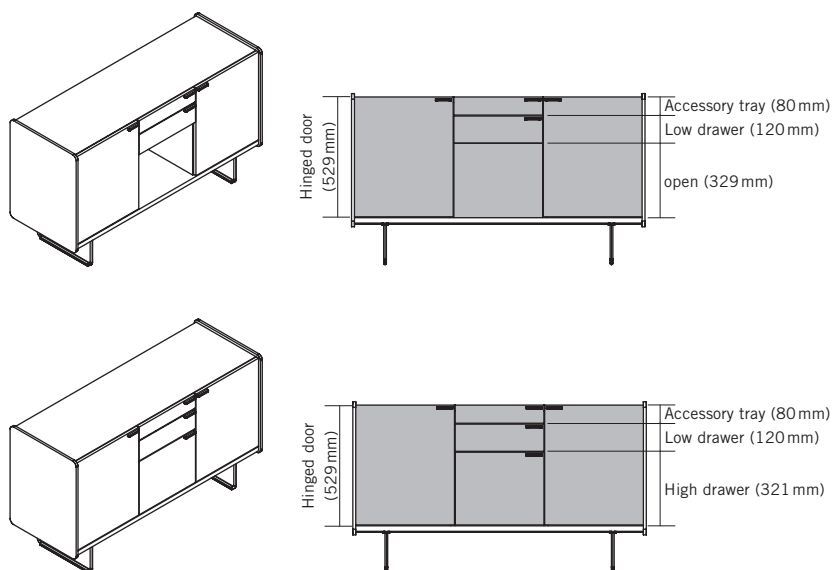
#### Caddy<sup>1</sup>



#### Sideboard<sup>1</sup>



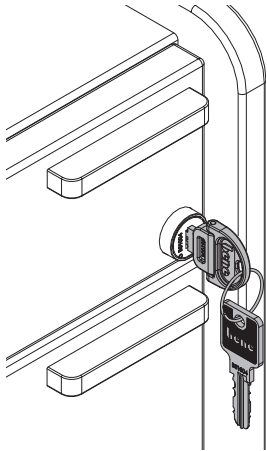
#### Credenza



<sup>1</sup>Hinged design (right or left) available (note accessory tray lock position).

## OPTIONS

### LOCK

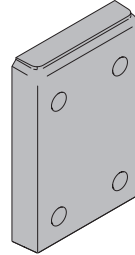


Without lock or lock hole, but with locking bar. Optional lock with changeable cylinder including two keys (one key is folding) and a locking bar.

When there is an accessory tray, the lock is always on the right.

### ANTI-TIPPING PROTECTION

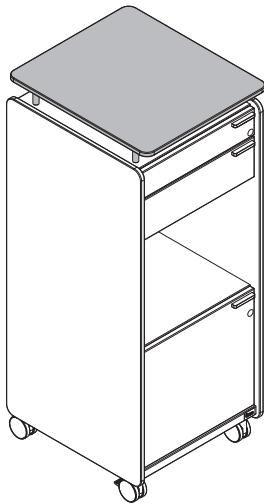
For the SIDE\_S Caddy and the Pedestal, Sideboard or Credenza with a high drawer, anti-tipping protection is provided in the form of a counterweight.



#### Counterweight

Concrete plate fastened to the inside of the rear wall.

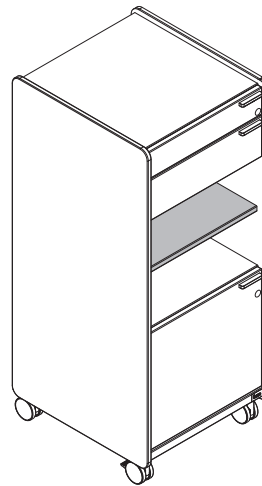
### TRAY



Optional for SIDE\_S Caddy.  
Dimension: Height 77,8 mm, width 417,6 mm and depth 480 mm

Material & colour: 12 mm birch plywood; tray surface can be selected from veneer group 1.

### SUPPLEMENTARY COMPARTMENT



Optional for SIDE\_S Caddy.

## INSPIRATIONS



Inspiration #01

- T-Workstation with slope, MW white melamine
  - Soft Edge, 1.600x800 mm
  - High RIYA with headrest
  - SIDE\_S Sideboard in MW white melamine/EY oak sylt veneer
- 



Inspiration #02

- T-Workstation with Delta, HC oak nature
- Soft Edge, 1.800x800 mm
- High RIYA with headrest
- SIDE\_S Pedestal in MW white melamine/EY oak sylt veneer

## INSPIRATIONS



Inspiration #03

- T-Workstation with Delta, HD oak graphite
- Soft Edge, 2.000 x 800 mm
- Medium-high RIYA
- SIDE\_S Sideboard/Credenza in MW white melamine/EV oak volcano veneer



Inspiration #04

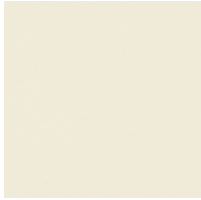
- T-Workbench with Delta, HC oak nature
- T-Panel Curve with gap between desk tops
- Soft Edge, 1.600 x 1.602 mm
- Bay Chair
- 6 SIDE\_S Caddy in MW white melamine/EY oak sylt veneer

## COLOURS & MATERIALS

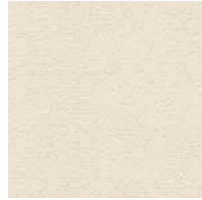
### MELAMINE: Basic colours



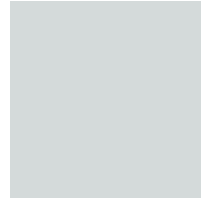
MW white



MQ office white



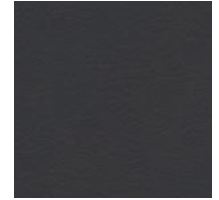
MC canvas



MP platinum



TM clay



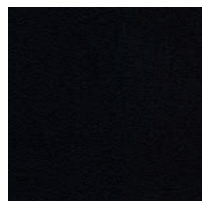
MT anthracite



MA aluminium



MS slate



MB basalt

### MELAMINE: Additional basic colours

### MELAMINE: Accent colours



TX mustard

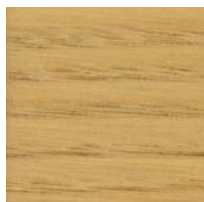


TH marino blue



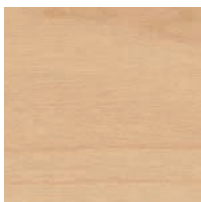
TS fern green

### VENEER: Maple



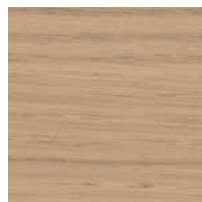
AK canadian maple

### VENEER: Beech

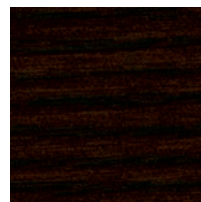


BG beech grey

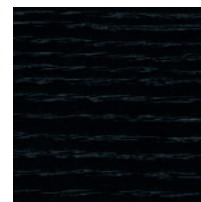
### VENEER: Oak



EY oak sylvia



ER oak amaretto



EV oak vulcano