

# T-PANEL CURVE

Homely functionality in the workplace. The “Curve” table panel brings colour and a cosy feel to the workplace. These table panels give structure and define different work areas with a combination of different heights, colours and materials.

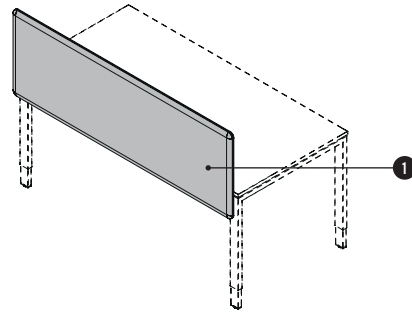
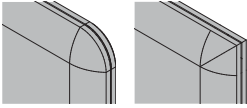
A softer more homelike atmosphere is created by using upholstered fabric panels. A variety of additional decorative storage options add to the effect; from metal shelves and cable outlets to wooden stationery accessories and flower pots.



## PRODUCT DESCRIPTION

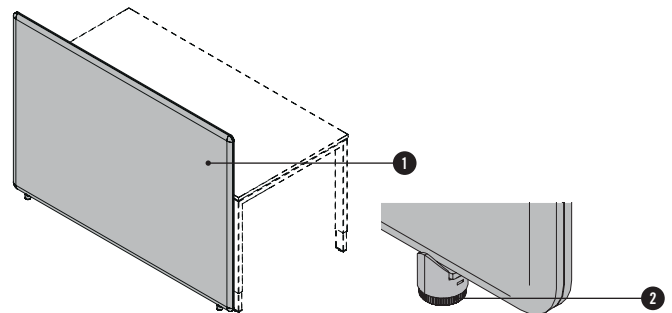
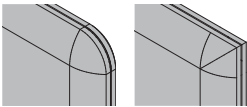
- ❶ **T-Panel Curve:** Applicable for T-Workstation, T-Front Office, Twin Table, and T-Workbench. Panel coverings are available in fabric groups P0-P4, from the Bene seating furniture collection.

Corner formation: rounded (30 mm) or square



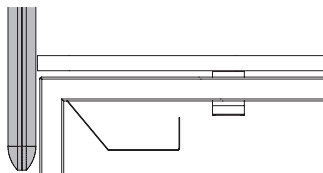
- ❶ **T-Panel Curve dividing wall:** Applicable for T-Workstation or T-Front Office. Panel coverings are available in fabric groups P0-P4, from the Bene seating furniture collection.

Corner formation: rounded (30 mm) or square

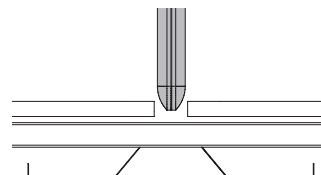


- ❷ **Adjustment leg:** steel

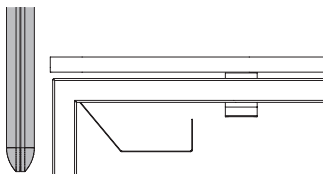
## CONNECTION OPTIONS



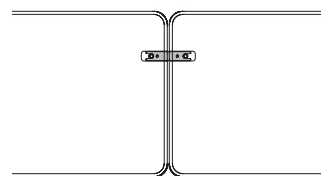
**T-Panel Curve**  
behind desk top with 2 mm gap



**T-Panel Curve**  
on T-Workbench



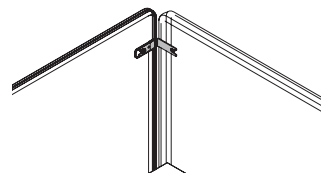
**T-Panel Curve**  
behind desk top with 20 mm gap



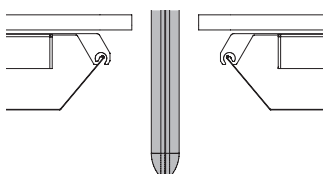
**T-Panel Curve**  
row connection  
Connector: SZ black



**T-Panel Curve**  
in desktop slot  
(no plastic cover  
for the top slot)



**T-Panel Curve**  
on a mitre line  
Connector: SZ black

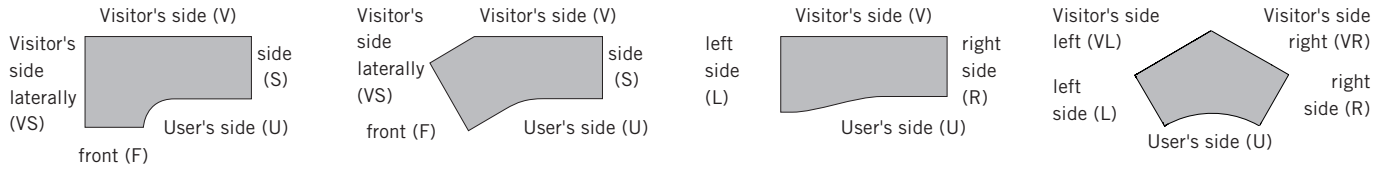


**T-Panel Curve**  
on Twin Table centred  
on connecting bar

## PRODUCT DESCRIPTION

### DEFINITION OF TABLE TOP SIDES / PANEL ALIGNMENT

The following diagrams show panel shapes in a left sided perspective. Right sided would be a mirror image.



### POSSIBLE POSITIONS FOR ATTACHING THE PANEL TO THE TABLE SIDES

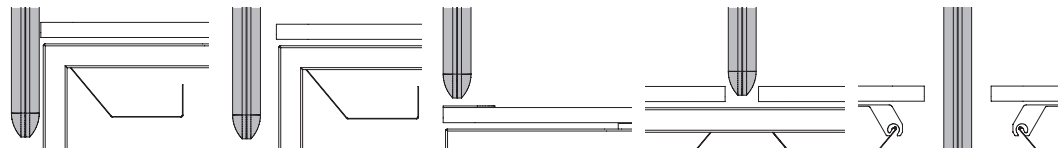
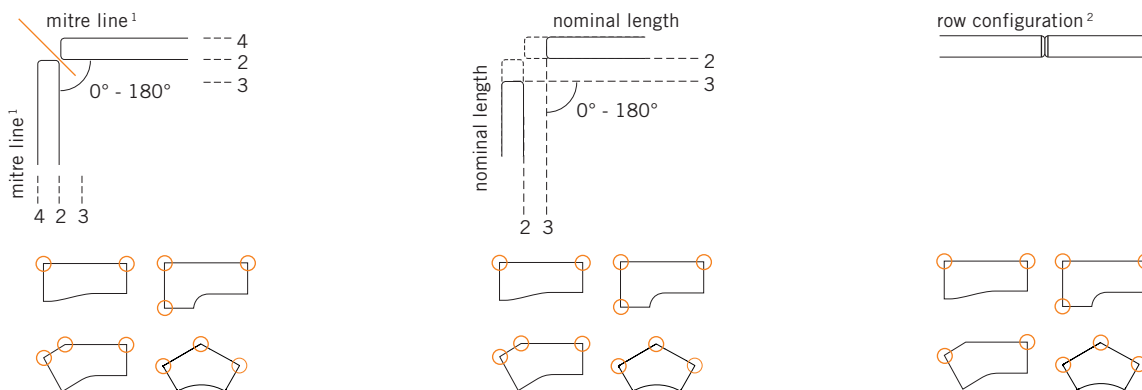


Table top positioning	behind desk top with 2 mm gap	behind desk top with 20 mm gap	in desktop slot	on T-Workbench	on Twin Table centred on connecting bar
T-Workstation	V, VL, VR, L, R	V, VL, VR, L, R	V, VL, VR	-	-
T-Front Office (T-Panel Curve dividing wall)	V	V	-	-	-
T-Front Office (W7)	V	V	-	-	-
Twin Table	-	-	V	-	V
T-Workbench	-	-	-	V	-

### POTENTIAL CONNECTION SOLUTIONS TO ADJACENT ELEMENTS (T-WORKSTATION ONLY)

The following illustrations outline the connections for the individual panels at corners, as well as their use with different table top shapes. The possible installation positions are also highlighted. The panel with the relevant nominal table width, nominal table depth, side length, or specified width (with leg lengths) must be used in all cases for pricing purposes.



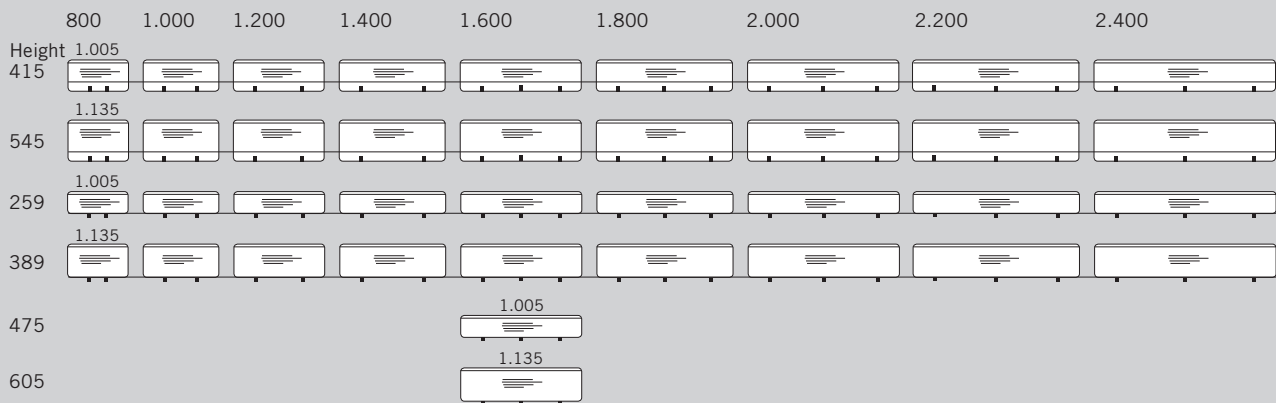
<sup>1</sup> Connection elements are inserted into the slot for assembly.

<sup>2</sup> Row configuration only possible if the panels have the same installation position.

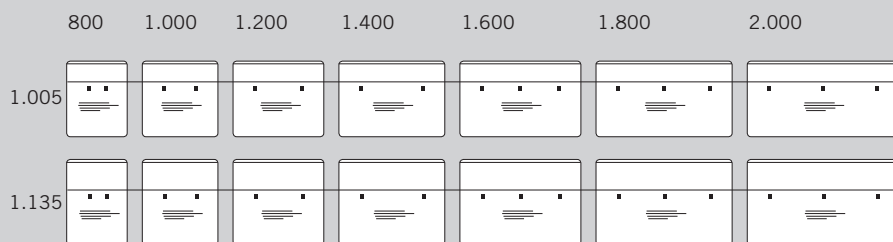
## OVERVIEW & DIMENSIONS

### PANEL TYPES VISITOR'S SIDE / VISITOR'S SIDE Laterally

#### T-Panel Curve

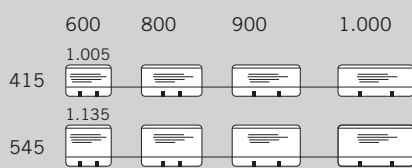


#### T-Panel Curve dividing wall

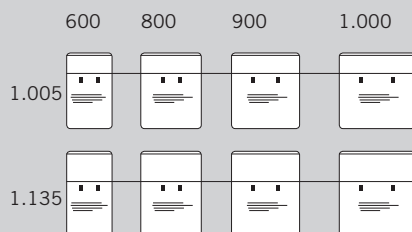


### PANEL TYPES Laterally/ FRONT / LEFT AND RIGHT SIDE

#### T-Panel Curve



#### T-Panel Curve dividing wall



Measurements in mm

## OPTIONS

### ORGANISATION RAIL

Organisation rail screwed on with clearance of 90 mm to the side edge.

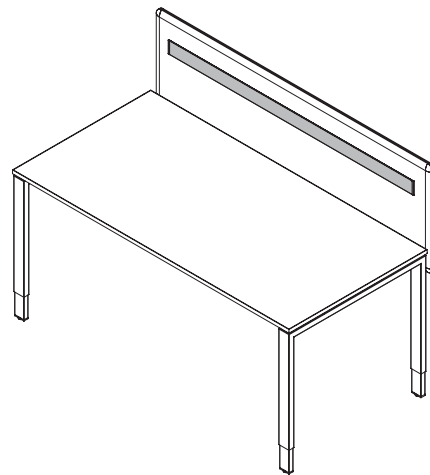
T-Panel Curve

Height: 365 mm, colour: W1 white

T-Panel Curve dividing wall

Height: 956 mm, colour: W1 white

Organisation rail possible with 1.135 mm top edge height.



### ACOUSTIC VERSION

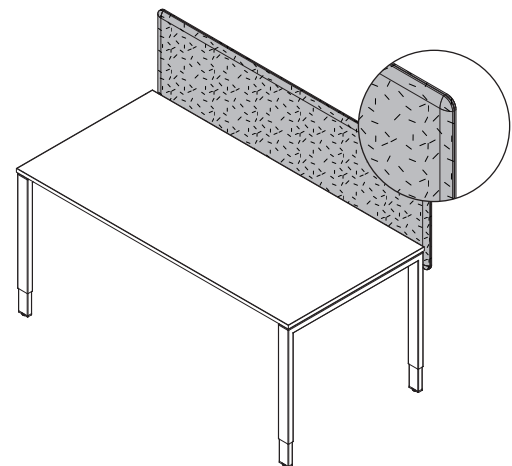
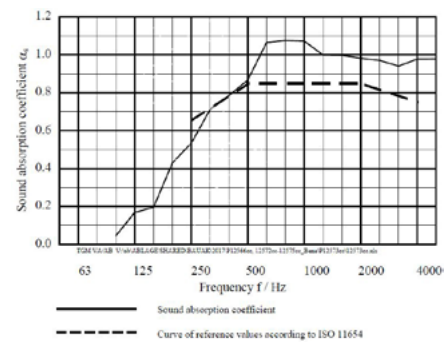
The acoustic version cannot be used in combination with T-Workbench, in the gap between the desk tops, or with T-Workstation in the top slot if the upper edge height is below 1.135 mm. It is not possible to combine the acoustic version with the organisational rail.

Panel coverings are available in fabric groups P0-P4, from the Bene seating furniture collection.

Sound absorption according to ISO 11354

Rated sound absorption level  $\alpha_w$  0.85

(in acoustically activated areas), Absorption class = B



## INSPIRATIONS



Inspiration #01

T-Workstation Delta wood, with natural oak leg frame, at a fixed height (740 mm), and a 19 mm Soft Edge table top (1600 x 800 mm) in melamine white. T-Panel Curve in Remix 933 (green) fabric and an organisation rail for steel tray short with natural oak wooden inserts.

---



Inspiration #02

T-Workstation Delta with leg frame in aluminium-coloured steel, height adjustable (650-850 mm), with a 19 mm table top (1600 x 800 mm) in melamine white. T-Panel Curve in Remix 123 (light grey) fabric with an organisation rail for a steel tray with aluminium coloured metal inserts.

## INSPIRATIONS



### Inspiration #03

T-Workstation Delta with leg frame in white-coloured steel, height adjustable (650-850mm), with a 19mm table top (1600 x 800mm) in melamine white. T-Panel Curve in Divina 462 (orange) fabric with an organisation rail for a steel tray short with flower pot.

---



### Inspiration #04

T-Workstation Delta with leg frame in white-coloured steel, at a fixed height of 740mm, with a 19mm table top (1600 x 800mm) in melamine white. T-Panel Curve dividing wall in a Z-arrangement in Remix 823 (light grey) fabric with an organisation rail for a steel tray short.

## INSPIRATIONS

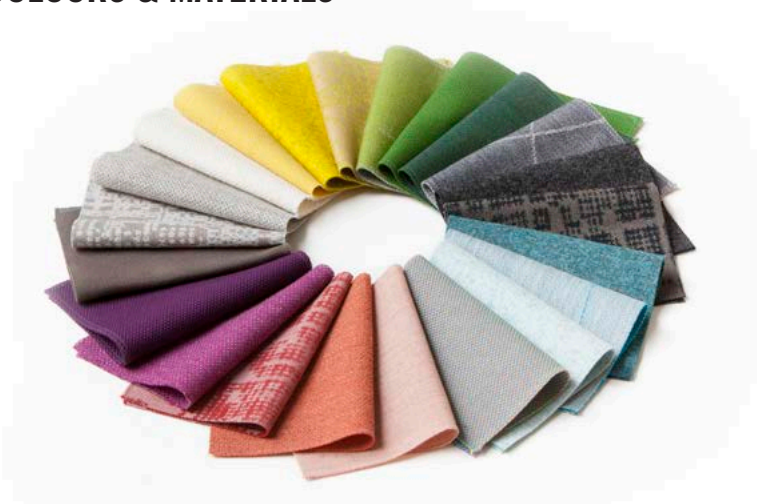


### Inspiration #05

3 x T-Workbench Delta wood - lateral including communication segments - with natural oak leg frames in a fixed height of 740mm, with a 19mm table top (1600 x 1602mm) in melamine white. T-Panel Curve in gap between desks tops in Remix 612 (light pink) fabric and with organisation rails on both sides for steel trays short with flower pot and aluminum coloured metal inserts.



## COLOURS & MATERIALS



All fabric collections are available as reference material:

Urban Plus, Xtreme Plus, Step, Step Melange, Remix, Europost, Field, Clara, Divina, Steelcut, Stamskin Top, Marvel, Hallingdal, Steelcut Trio, Divina Melange, Divina MD, Greenwich, Greenwich Uni, for detailed information on the individual fabric collections, go to [www.bene.com](http://www.bene.com).