

FRIENDS
BY **bene**



USER MANUAL
WALL HOOKS



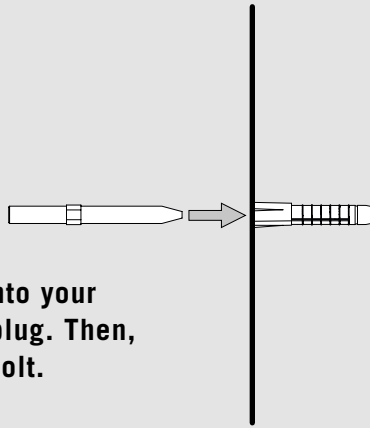


Please read the following instruction carefully and use the product accordingly. This summary may not include every detail of all variations and considered steps. Please contact us should you require further information or help at any time.

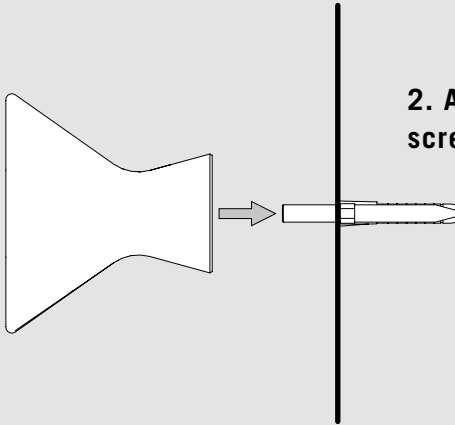
- Wipe clean with a dry cloth for daily care.
- Please assemble this product in accordance with the instructions.
- Wipe clean with a dry cloth for daily care.
- Should you find that you are missing / or that you have received defective parts after unpacking, please contact us immediately and do not attempt to assemble the product.

WARNINGS

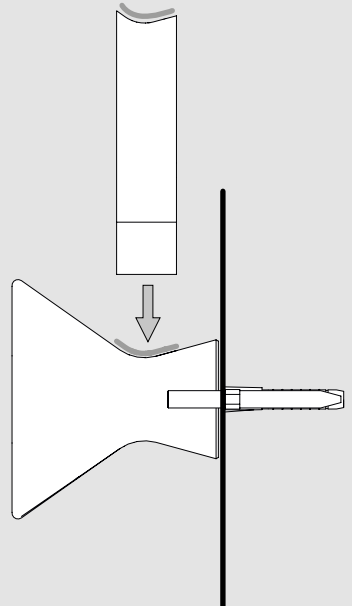
- Each element has a weight loading of up to 2 kg (11lbs). Before using bFRIENDS Wall Hooks, make sure they are mounted safely and correctly.
- Proper and secure wall mounting of your bFRIENDS Wall Hooks is crucial. The correct mounting method depends on the type of wall you are attaching it to. It is advised to use a rawl plug to securely fix the hooks to the wall. If uncertain, seek advice from your local hardware store.
- PLA becomes malleable and soft above 50 °C. 3D-Printed parts of bFRIENDS are therefore not suitable for cleaning in the dishwasher and should be kept away from heat.



1. Drill an 8 mm hole into your wall and insert a rawl plug. Then, screw in the provided bolt.



2. Attach your hook by screwing it onto the bolt.



3. Mount the 3D-printed part. Note: It is important to properly position the 3D-printed hook element over the wooden part, to avoid damaging it. Please ensure that the curvature of the hook perfectly follows that of the wooden part.

Bene GmbH
Schwarzwiesenstraße 3
3340 Waidhofen/Ybbs
Österreich

BENE.COM



bene

INSPIRIERENDE BÜROS. SEIT 1790.