

FLEX

... EASY UP, EASY DOWN

FLEX folding and swivel tables have a large range of different uses, they are self-explanatory and very easy to handle. Because they are stackable and don't need much space to store, they are the perfect furnishings for flexible room settings, workshops, seminar areas and coworking spaces. The FLEX table range can also be used as a mobile meeting table or as a workstation.

Thanks to optional details such as tabletop connectors, cable management and impact protection edge, the FLEX tables can be individualised as needed. There is a large selection of tabletop sizes and material surfaces to choose from.

FLEX, a particularly attractive and modern addition to your working environment.



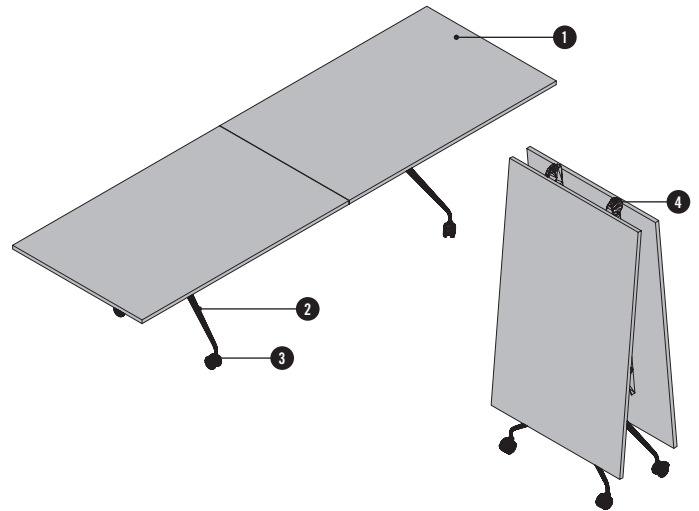
bene

INSPIRING OFFICES. SINCE 1790.

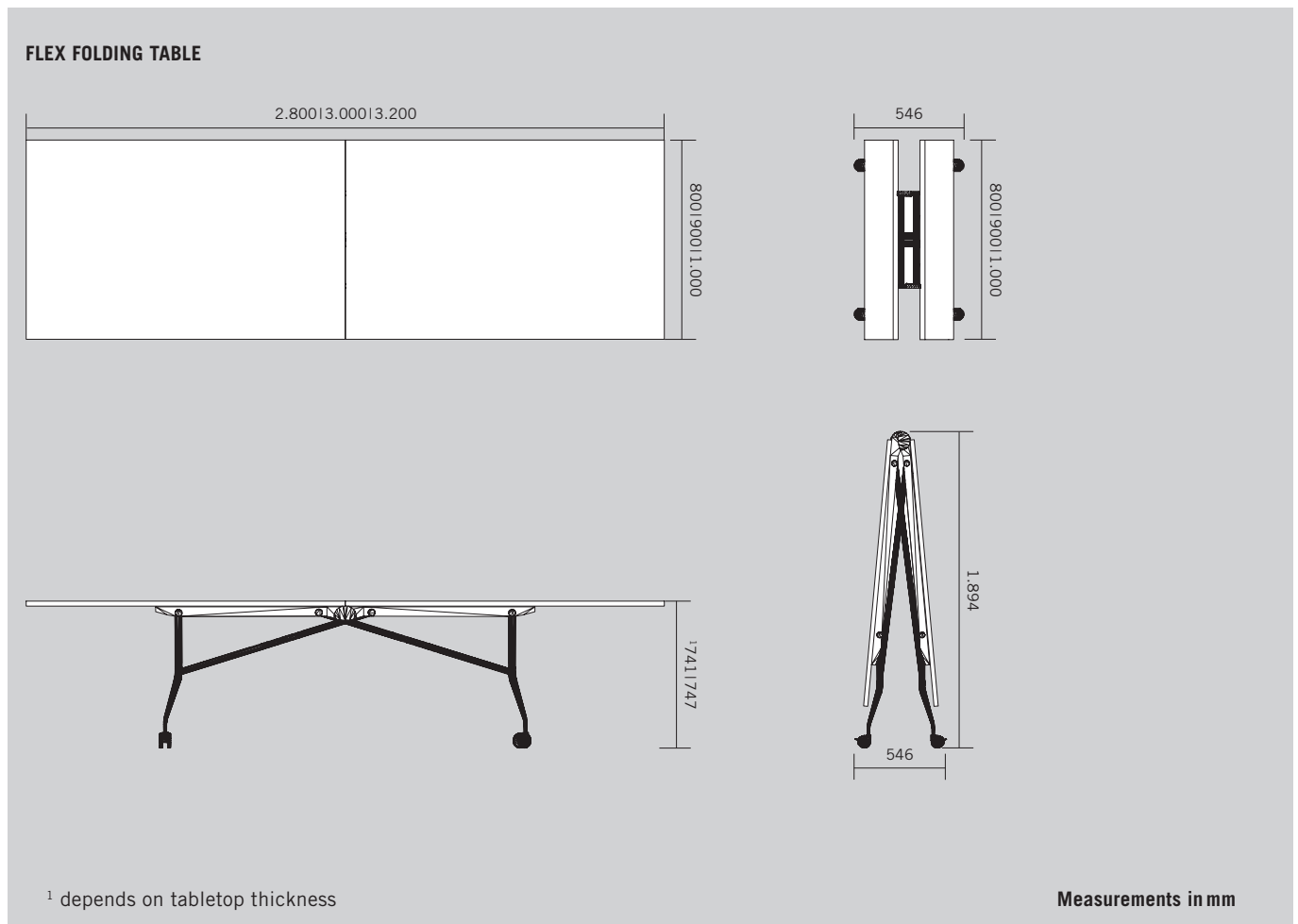
PRODUCT DESCRIPTION – FLEX FOLDING TABLE

This folding table is space-saving, can be folded to 40 cm, it has a mechanical locking system, an anti-shock system (fingers cannot be pinched!), and can be easily moved by one person.

- ❶ **Tabletop:** 19 mm or 25 mm chipboard, melamine
- ❷ **Frame:** powder-coated black
- ❸ **Castors:** black and equipped with brakes
- ❹ **Centre crossbar:** anthracite



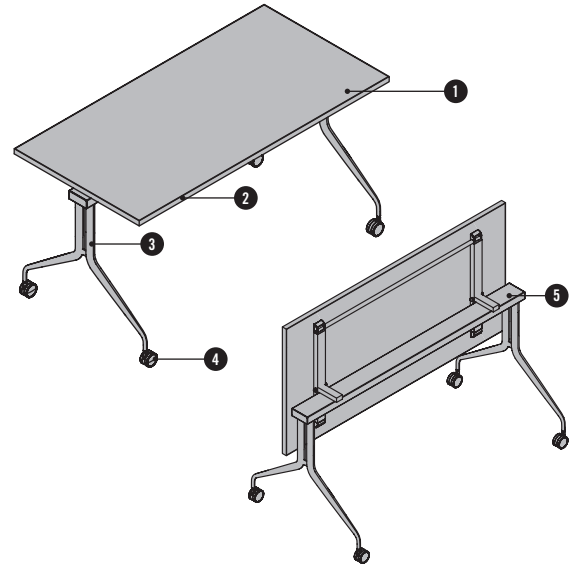
OVERVIEW AND DIMENSIONS



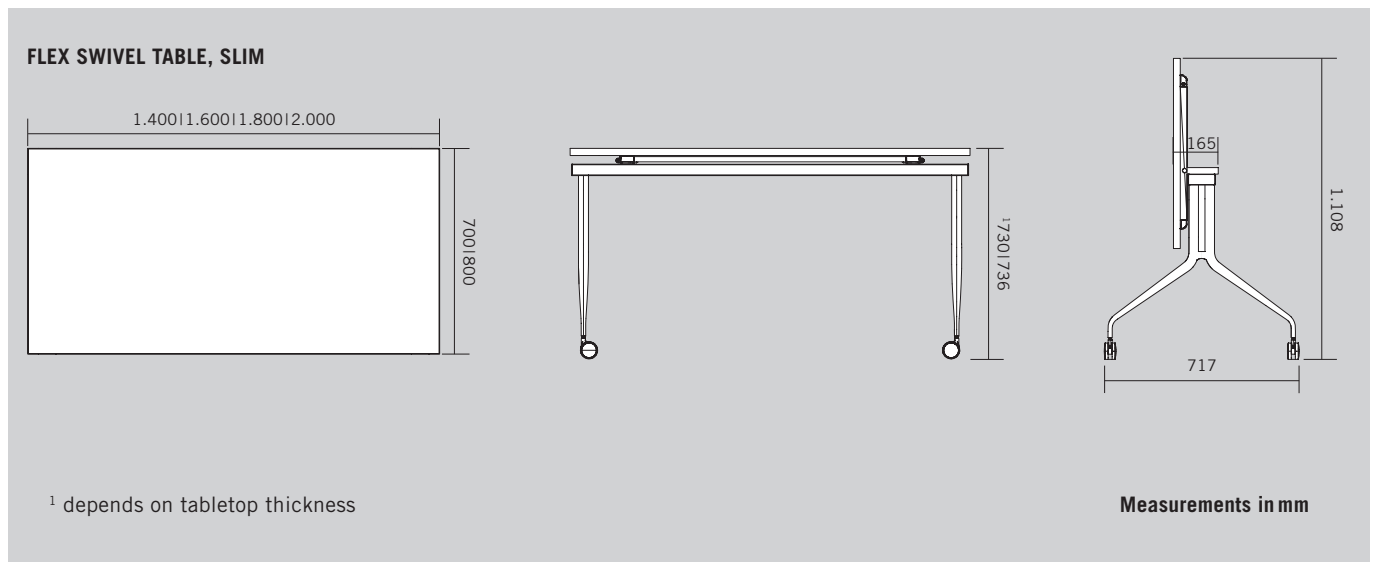
PRODUCT DESCRIPTION – FLEX SWIVEL TABLE, SLIM

Tabletop tilts, so it is space-saving and stackable. Unlock it by pushing the two locking levers; ideally suited for office, training and conference rooms, easy for one person to move.

- ❶ **Tabletop:** 19 mm or 25 mm chipboard, melamine
- ❷ **Corners:** cornered or Soft Edge with rounded corner R 50 mm
- ❸ **Frame:** powder coated in white, black or aluminium colour
- ❹ **Castors:** black and equipped with brakes
- ❺ **Centre crossbar:** anthracite



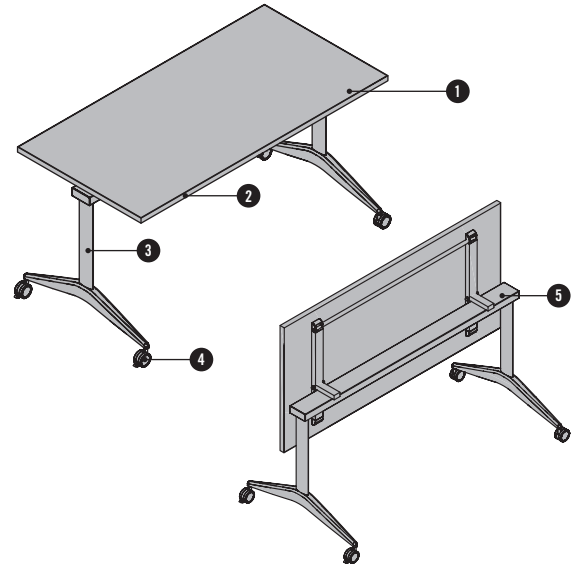
OVERVIEW AND DIMENSIONS



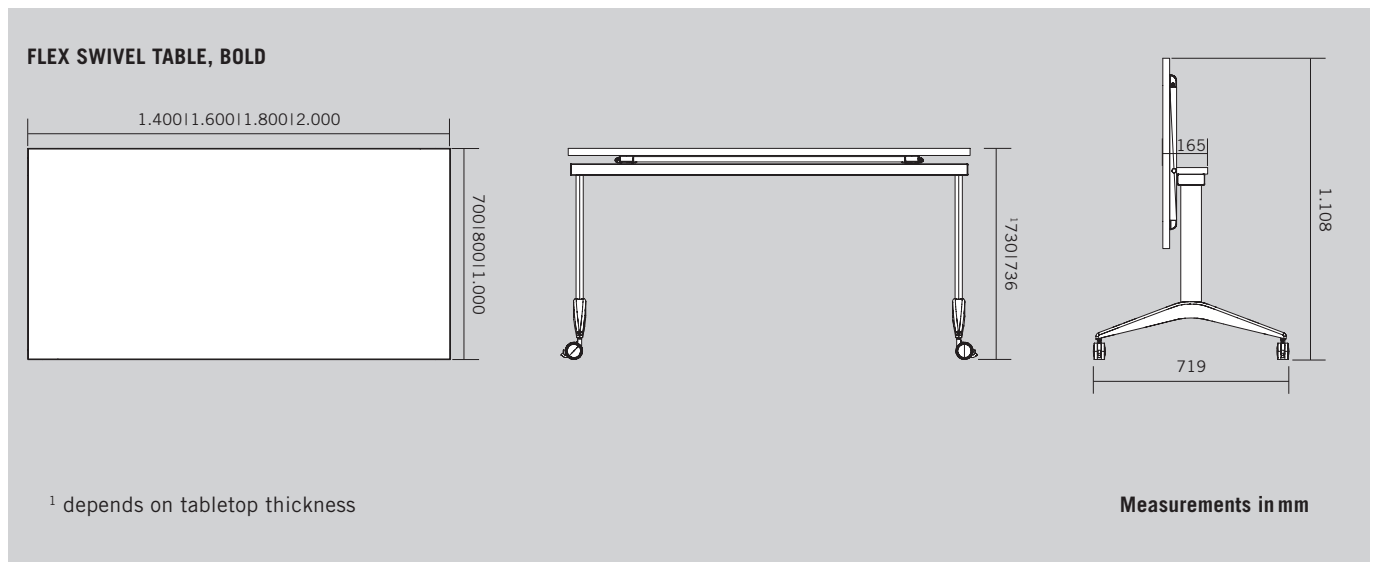
PRODUCT DESCRIPTION – FLEX SWIVEL TABLE, BOLD

Tabletop tilts, so it is space-saving and stackable. The tabletop has a practical opening and locking system, ideal for office, training and conference rooms, easy for one person to move.

- ❶ **Tabletop:** 19 mm or 25 mm chipboard, melamine
- ❷ **Corners:** cornered or Soft Edge with rounded corner R 50 mm
- ❸ **Frame:** powder coated in white, black or aluminium colour
- ❹ **Castors:** black and equipped with brakes
- ❺ **Centre crossbar:** anthracite



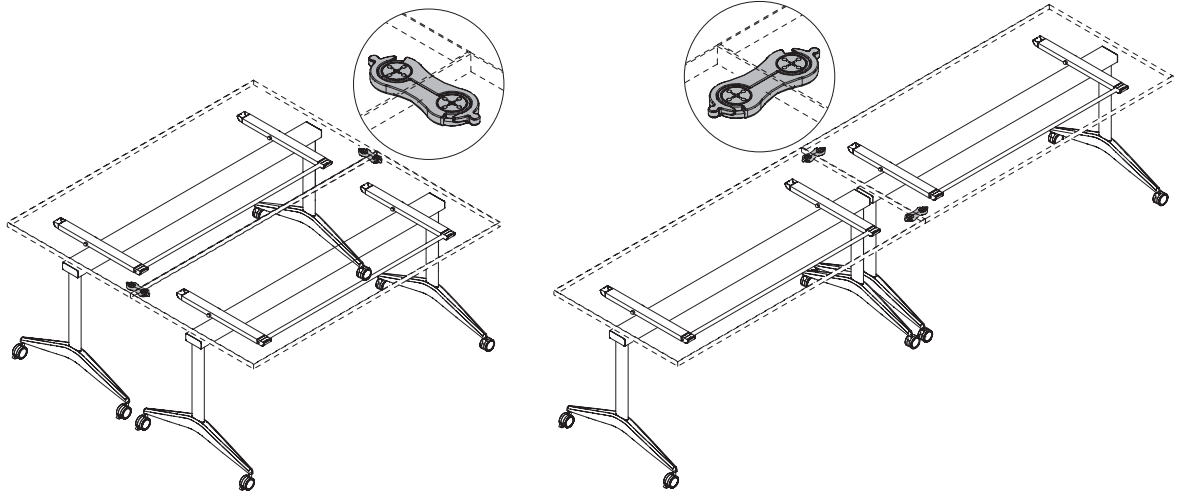
OVERVIEW AND DIMENSIONS



OPTIONS FOR FOLDING & SWIVEL TABLES

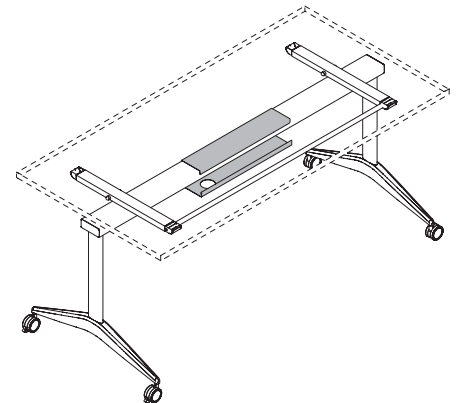
TABLETOP CONNECTORS

Optionally, two or more tables can be connected using tabletop connectors.
Tabletop connectors available in black. Two connectors are included in every delivery.



CABLE TRAY

A metal cable tray in black is optionally available for cable management.
Dimension: length 500mm



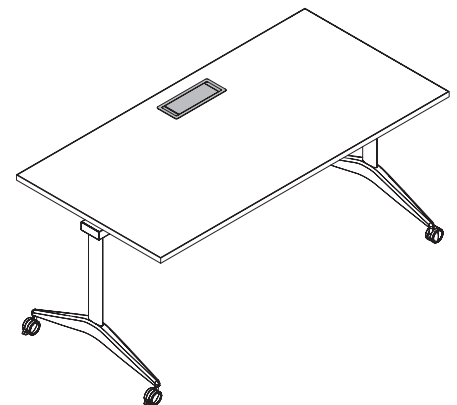
CABLING AND CONNECTIVITY

· BENE plug box available in SZ black or AL aluminum

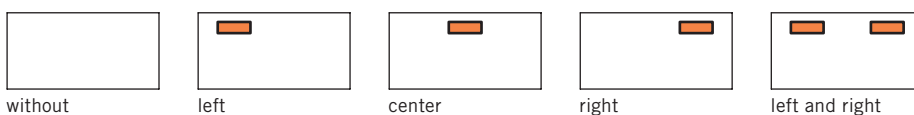
Connection plug board versions

- 4 x power
- 3 x power, 2 x USB A/C charger
- 2 x power, 2 x RJ45, 1x HDMI

Connection plug boards must be ordered separately.
Only available for the swivel tables.

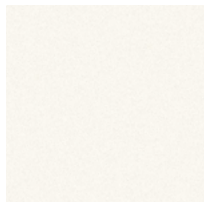


Options for visitor side cabling

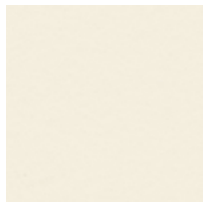


COLOURS & MATERIALS

MELAMINE GROUP 1: Basic colours



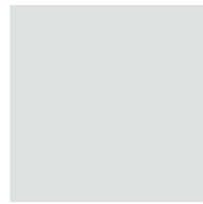
MW white



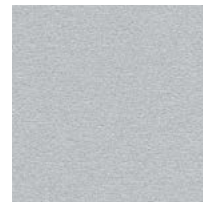
MQ office white



MC canvas



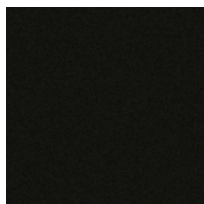
MP platinum



MA aluminium



MS slate

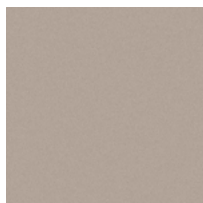


MB basalt

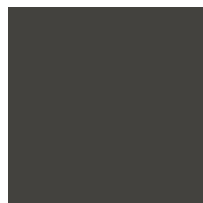
MELAMINE GROUP 2: Additional basic colours



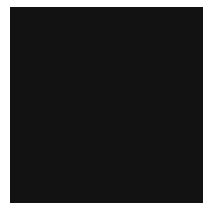
MH stone grey



TM clay



MD urban grey



MGS graphite black



MSW snow white

MELAMINE GROUP 2: Decor colours



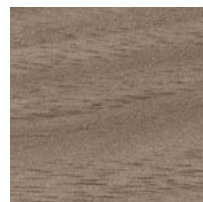
AR maple



EZ oak vicenza



BH beech light



NG walnut grey

MELAMINE GROUP 3: Accent colours

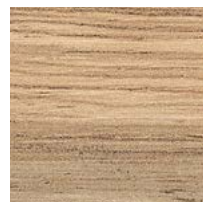


MPZ pistachio

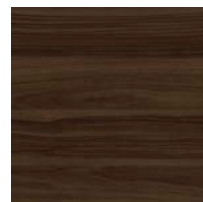


MHR light rose

MELAMINE GROUP 3: Decor colours, wooden texture



CO coco texture



MNP walnut pavia