

KIZZ

A pleasant all-rounder for all of the spaces and places in the office. The Kizz seat shell has a classic shape. The armrests and frames are distinguished by organic, soft lines. The armchair combines elegant looks

with very comfortable seating. Its design communicates lightness and transparency; it can be used in many settings, from seminar rooms to cafeterias.

Design: Johannes Karl, Christian Kreiner

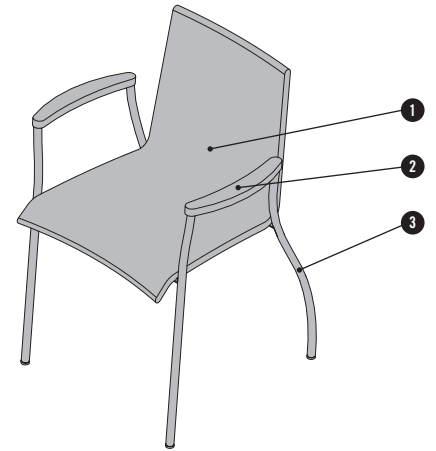


bene

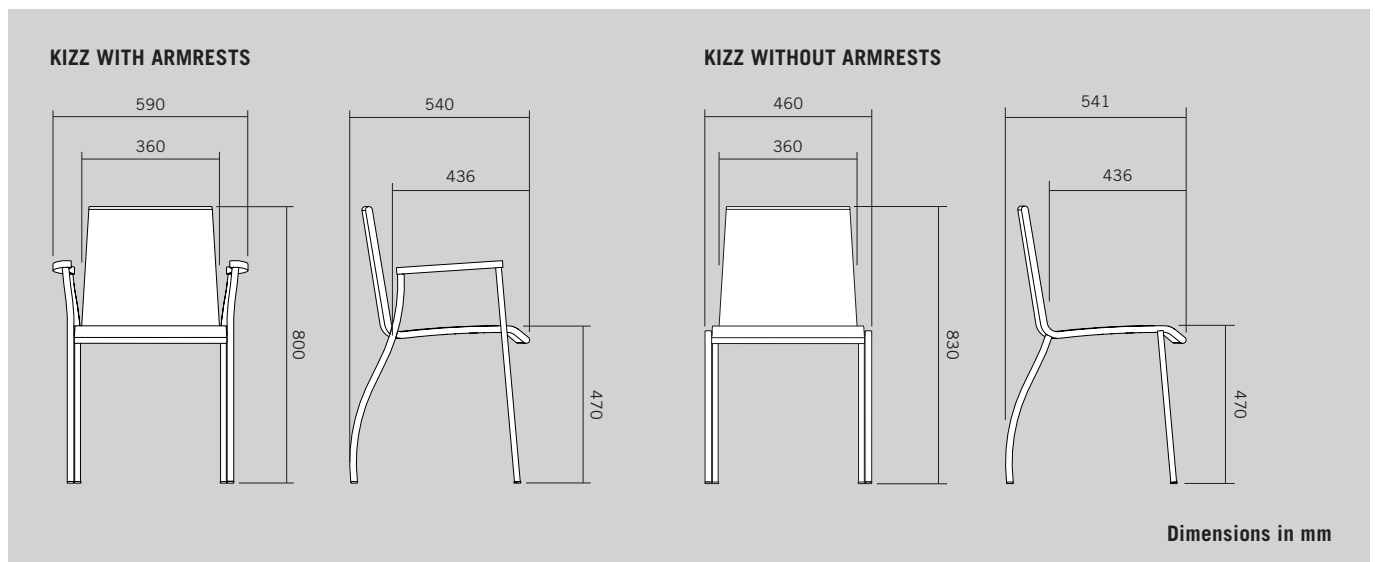
INSPIRING OFFICES. SINCE 1790.

PRODUCT DESCRIPTION

- ❶ **Seat + back:** Ergonomically shaped seat shell made of veneered beech plywood, natural maple or varnished beech. The chair is optionally available with a fabric or leather cover. The varnished version can be ordered with a visible wood core.
- ❷ **Frame:** 4-leg, round tube, in chrome or powder-coated in black or aluminium-coloured paint. Comes standard with acoustic glides, optionally with felt glides.
- ❸ **Armrests:** Optional. Made of solid wood. Veneered beech, natural maple or varnished beech.

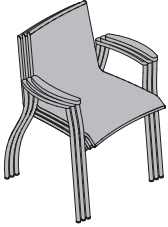


OVERVIEW AND DIMENSIONS



OPTIONS AND ACCESSORIES

STACKABLE FRAME

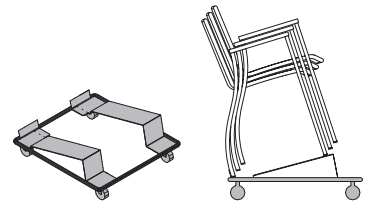


Kizz with a shell in beech plywood (non-upholstered) is optionally available in a stackable version.

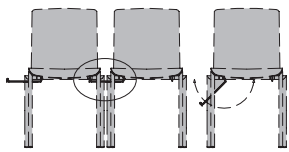
- without stacking trolley: A maximum of 4 chairs can be stacked.
- with stacking trolley: a maximum of 8 chairs with/without armrests can be stacked.

STACKING TROLLEY

The stacking trolley consists of steel tube and plate, in black and with castors (without brake).
DIMENSIONS: 677/677/238 mm.



ROW CONNECTION

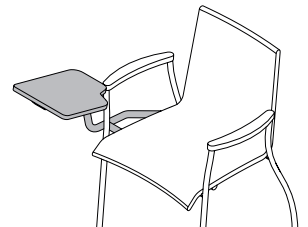


Symbolic image

Kizz chairs can be connected to each other. This requires all chairs to be with armrests or all without armrests.

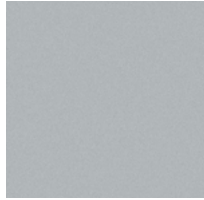
WRITING TABLET

Made of beech plywood, stained. It is attached via a steel tube on the substructure of the chair. The colour is the same as that of the frame. When a writing tablet is attached, the chair can no longer be stacked.



COLOURS & MATERIALS

METAL SURFACE POWDER-COATED



AL aluminium



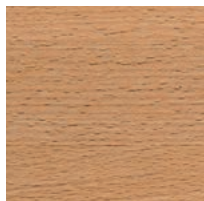
SZ black

METAL SURFACE GALVANISED



CR chrome

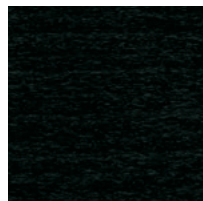
PLYWOOD / MASSIVE WOOD: BEECH



BU beech natural

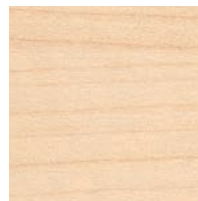


BG beech grey



BO beech vulcano

MAPLE

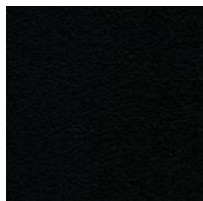


AR maple natural

LACQUERED WOOD



OA white



BS basalt

FABRIC AND LEATHER



Various fabric collections are available for the cover: Era, Urban Plus, Xtreme Plus, Step, Step Melange, Remix, Europost, Mainline Flax, Assam, Fox, Fiord, Steelcut, Stamskin Top, Hallingdal, Steelcut Trio, Divina Melange, Divina MD, Coda, Elle, Opera. Various leather collections: Ultra, Spectrum.

More information about the specific fabric and leather collections is available at www.bene.com.

SUSTAINABILITY

From the specifications stage through to series production, ecological requirements are always an important factor in the development process. This includes selecting environmentally compatible materials, such as CoC-certified timbers from sustainably managed forests, using recycled materials and increasing the use of renewable raw materials. In order to guarantee a high recyclability standard for our products, we avoid composites as much as possible and develop furniture that allows for disassembly.

Labelling of materials, their ability to be repaired, and a long service life for the components used, are other important requirements for product design. But the ability to disassemble and recycle the products at the end of their lives are also important criteria.

SUSTAINABLE RAW-MATERIALS

At Bene, the following materials are used as a matter of course:

- chipboards low in formaldehyde
- glues low in formaldehyde
- water-based varnish systems
- recyclable materials
- materials with a high recycling share
- PVC-free synthetics

Bene guarantees products free from:

- CMR substances
- halogenated solvents in synthetics
- chlorinated hydrocarbons
- heavy metal pigments
- materials with azo pigments
- Coatings with biocidal effects (such as wood preservatives, pesticides).

CONTRIBUTION TO BUILDING CERTIFICATIONS

In the context of ecological building certification, design systems such as furniture and dividing walls help to achieve a good result and a higher score.

Bene's products make a contribution towards the LEED, WELL Building Standard, DGNB, BREEAM, etc. certifications. Criteria include, for example, environmental product declarations, indoor air quality, acoustics and convertibility.

KIZZ

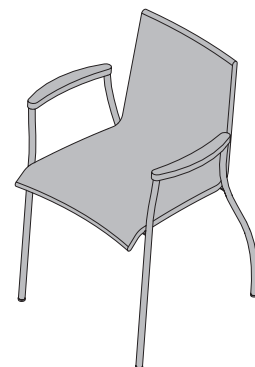
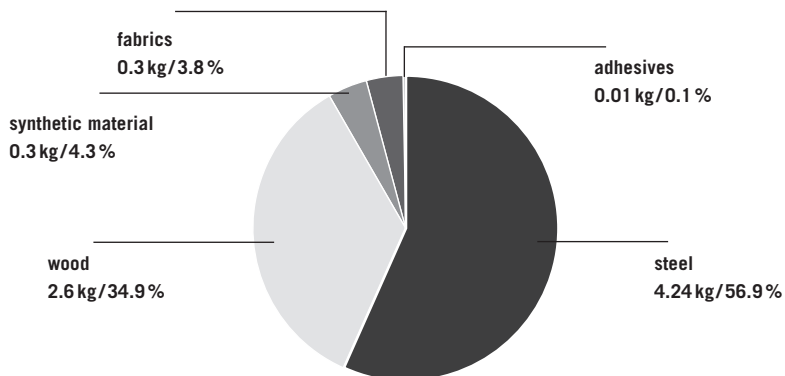
Example configuration

- swivel base
- synthetic fibres
- total weight 7,46 kg

Environmental key figures

- 99.9 % sortenreine Trennbarkeit
- 97.0 % recyclable
- 34.9 % of contents are renewable raw materials
- 26.4 % recycled production materials

Materials



On request, Environmental Product Declarations (EPD, LCA) – at Bene we call them Life Cycle Data Sheets – can be provided for all standard product configurations.

A list of product-specific certificates and design awards can be found on the Bene product website: <https://bene.com/en/office-furniture-concepts/office-furniture/kizz-chair/>

Environment-related information about Bene: <https://bene.com/en/sustainability-report-2021/>

