

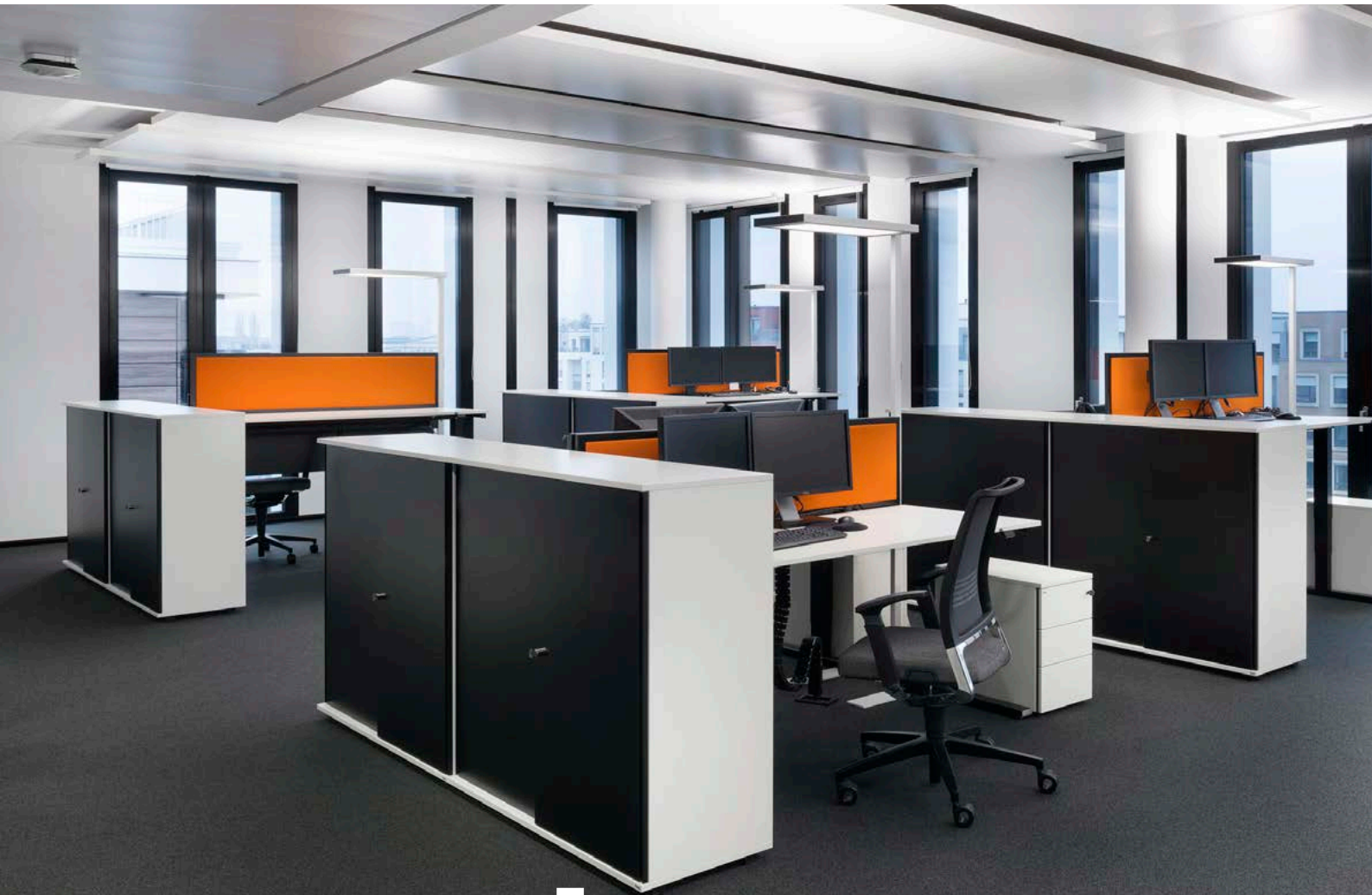
KX STORAGE

KX. Furniture for storage. It structures and organises spaces. Storage furniture with a high technical standard. Can be used for wall claddings as a solitary piece of furniture or as a combination of lower and upper cabinets. Sturdy construction, durable materials and can be perfectly organised.

Choose between sliding door cabinets, tambour cabinets, hinged door cabinets and drawer cabinets, as well as open shelf units.

Cabinet base: 19 or 25 mm thick.

Individual design options through a variety of colours, materials and surfaces.

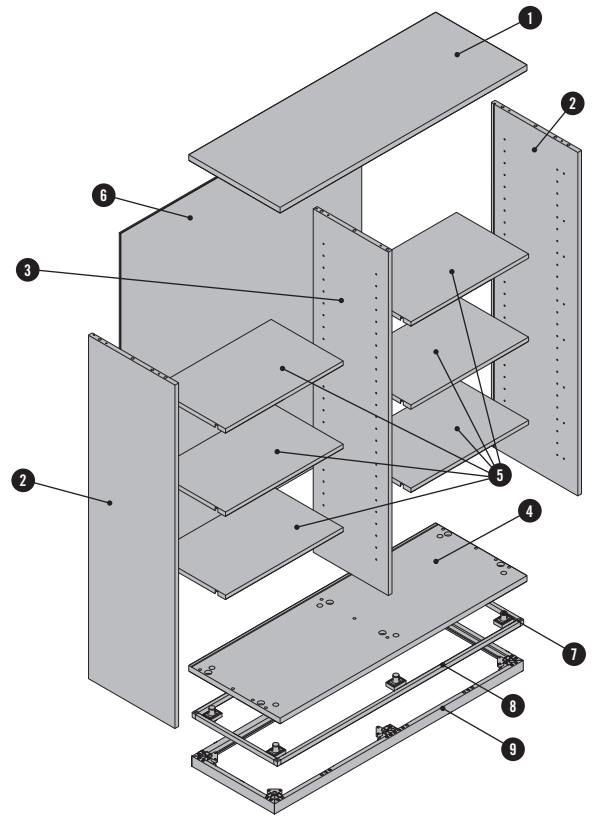


bene

INSPIRING OFFICES. SINCE 1790.

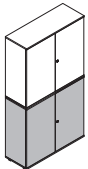
PRODUCT DESCRIPTION

- ❶ **Top:** 19 mm or 25 mm chipboard.
- ❷ **Visible sides:** 19 mm chipboard.
50 mm hole spacing for installing shelves.
- ❸ **Middle panel:** 19 mm chipboard.
50 mm hole spacing for installing shelves.
- ❹ **Bottom:** 19 mm or 25 mm chipboard.
- ❺ **Shelves:** 19 mm chipboard.
Metal shelves in SR slate available (optional).
- ❻ **Rear wall ¹:** 12 mm chipboard.
- ❼ **Adjustment leg:** Plastic in AS asphalt. Height is 25 mm when bottom and top are 25 mm thick; height is 37 mm when bottom and top are 19 mm thick; 4-6 adjustment legs depending on the cabinet, +20 mm height adjustment.
- ❽ **Optional base panel:** Plastic in AS asphalt.
4-sided canted plastic profile with corner connectors.
- ❾ **Optional steel base:** Steel profile in AS asphalt. 4 canted steel profiles, height: 45 mm. Integrated level adjustment of 45-65 mm via adjustment feet.



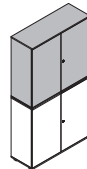
¹ Rear wall in acoustic version on request.

CABINET TYPES



Lower cabinet

Standard delivery of the lower cabinet includes a top plate.



Upper cabinet

The upper cabinet can only be installed on top of the lower cabinet. It is connected to it with four chipboard screws.

LOCK

All cabinet fronts can be configured to be lockable or not lockable.



Keys

Cabinets with lockable front are always delivered with 2 keys: one flat key and one folding key.

MAXIMUM LOAD OF THE SHELVES

The maximum load specified in the table applies to all shelves.

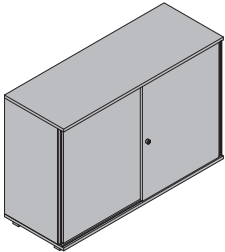
150 kg/m ²					
Shelf length [cm]	36,2	56,2	76,2	96,2	116,2
			(57,1)	(77,1)	
Maximum load [kg]	20	30	40	50	60

PRODUCT DESCRIPTION

FRONT TYPES

Sliding door cabinet ¹

The sliding door cabinet is equipped with two sliding doors on one side. Various versions of the front are available.



- Melamine front
- 16 mm chipboard
 - with a plastic grip ledge in a basic colour

- Veneer front
- 17 mm MDF panel
 - with milled grip groove

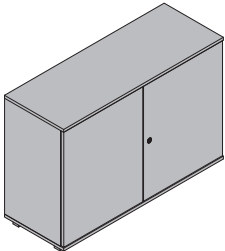
- Lock
- with lock (optionally with changeable cylinder)
 - without lock or lock hole

The bottom shelf is the front colour with a milled running profile.

¹ Front in acoustic version on request.

Hinged door cabinet

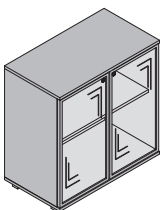
The hinged door cabinet is available in various fronts. In the heights of 5 OH and 6 OH and in the widths of 800, 1,000, and 1,200 mm, only unassembled delivery is available for the hinged door cabinet!



- Melamine front
- 19 mm chipboard
- Veneer front
- 19 mm chipboard
- Glass
- 4 mm TSG glass in an anodised aluminium frame

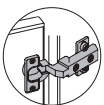
- Handle and lock:
- with lock (optionally with changeable cylinder)
 - turning knob, lockable (optionally with changeable cylinder)
 - fixed knob, not lockable

Glass hinged door cabinet

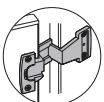


The open shelf cabinet can be equipped with hinged doors (optional). These doors are installed with interior hinges and an opening angle of 95°. Available with or without lock. Without a lock, the doors open with magnetic push snaps; the lockable version involves installation of a changeable cylinder for each door.

Strap hinges for hinged door



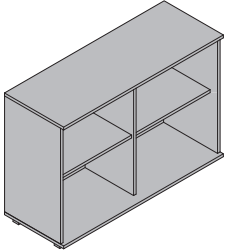
- Internal hinge
- opening angle 120°, no springs for fronts without handles
 - dampened, opening angle 110°



- External hinge
- visible, opening angle 180°, no clips for fronts without handles

PRODUCT DESCRIPTION

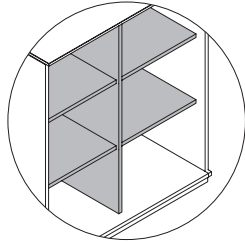
Shelf cabinet



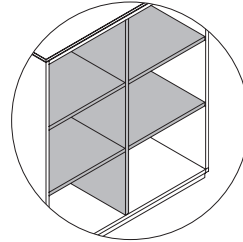
Open shelf cabinet

Above a width of 801 mm, open shelf cabinets have a middle panel.

Front types



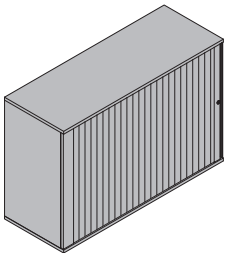
Panels and shelves are inset.



Panels and shelves are flush.

Horizontal tambour cabinet ¹

The usable storage width is shortened by about 200 cm in each cabinet half because of the roller shutter spiral. For widths between 1,000 and 1,200 mm, a middle panel can be selected (optional); cabinets with widths of 1,201 mm always have middle panels.



Tambour front

- 8 mm polypropylene in WI white, CV canvas, PL platinum or AM aluminium
- plastic grip ledge in the same colour as the front

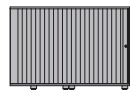
Lock

- with lock (optionally with changeable cylinder)
- without lock

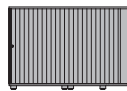
Optional retracting front:

The cabinet comes without roller shutter spiral and the tambour front runs through a doubled rear wall. The carcass width expands 100 mm, so the usability of the inside space increases.

Direction of opening



Opening from the right

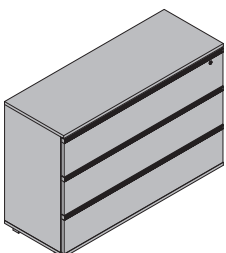


Opening from the left

¹ Front in acoustic version on request.

Drawer cabinet

Pull-out compartments always include complete compartments with parallel guides, mounted on ball bearings, slide perfectly with spring-supported retraction.



Melamine front

- 19 mm chipboard
- plastic grip ledge in the basic colour

Veneer front

- 19 mm MDF panel with a milled handle

Lock

- with lock (optionally with changeable cylinder)
- without lock

Assembly

Either hanging file frames or pull-out file drawers can be installed. But no hanging file frames can be installed with 2 OH with drawers! Drawer cabinets must always be secured against tipping. For more information, see → the section entitled "Safety instructions"

SHELF DEFINITIONS AND SHELF CHANGES

SHELF DEFINITIONS

Methodology for determining the positions of built-in components in the cabinet. The following shelf definitions also apply to shelf changes and for the installation of all organisation elements.

Cabinet types

XS

4.1	4.2
3.1	3.2
2.1	2.2
1.1	1.2

XF

6.1
5.1
4.1
3.1
2.1
1.1

XO

6.1	6.2
5.1	5.2
4.1	4.2
3.1	3.2
2.1	2.2
1.1	1.2

Cabinet types

XR

Opening from the right

4.1	4.2
3.1	3.2
2.1	2.2
1.1	1.2

Opening from the left

4.1	4.2
3.1	3.2
2.1	2.2
1.1	1.2

XL

3.1
2.1
1.1

CHANGING SHELVES

Shelves can be ordered separately, or can be changed to powder-coated metal shelves in SR slate.

The following shelf widths are needed for the given cabinet widths (in mm):

Cabinet width	400	445	800	1,000	1,200	1,600
XS					571	771
XF	362	407	762	962 ¹	1,162 ¹	
XO	362	407	762	471	571	771
XR left side					362	571
XR right side					571	771
XR no middle panel			571		962 ¹	

¹ with shelf rail for reinforcement

ORGANISATION ELEMENTS

BINDER SHELF

The binder shelf divides up one cabinet shelf. On the top level, it is equipped with partition walls that can be adapted to various paper formats. Material & colour: 12 mm chipboard with melamine surfaces (Melamine Groups 1 and 2) or veneer. The partition walls are of steel plate in SZ black.

Binder shelves cannot be installed on the lowest shelf.

	1 middle panel, 2 partition walls				2 middle panels, 3 partition walls		3 middle panels, 4 partition walls	
Cabinet width, from	800	1,000	1,200	1,600	800	1,600	1,000	1,200
XS			571			771		
XF					762		962	1162
XO		471	571		762	771		
XR left side				571				
XR right side			571			771		
XR no middle panel	571							962
Depth 335 mm, height 285 mm								

INDEX CARD TRAY

Installed in drawer. In 3 different sizes.
Two swivel plates included.
Material & colour: Plastic, PL Platinum.



A4 landscape format

Width: 319 mm
Depth: 345 mm
Height: 212 mm



A5 landscape format

Width: 228 mm
Depth: 345 mm
Height: 153 mm

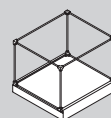


A6 landscape format

Width: 166 mm
Depth: 345 mm
Height: 113 mm

HANGING FILE BOX

Pull-out hanging file box with a removable file frame for hanging A4 format files. To be installed in empty compartment. Exceptions: Hinged door cabinet with internal hinge and 400 mm width, and lowest niche for hinged door cabinet in 5 OH or 6 OH (file height).
Material & colour: Steel plate, CR chrome and SZ black.

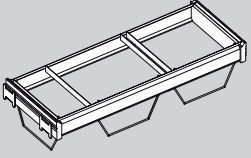




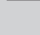
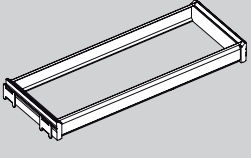
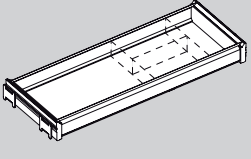




Width: 345 mm
Depth: 340 mm
Height: 295 mm

ORGANISATION ELEMENTS

HANGING FILE FRAMES, HANGING FRAMES, PULL-OUT FILE DRAWERS

Fully extendable metal frame. Mounted on ball bearings, sturdy, slides perfectly with integrated push-in mechanism. With full extension, without parallel guide: Sliding door cabinet and horizontal tambour cabinet. With full extension and parallel guide: Hinged door cabinet. Hanging file frame including transverse divider and file deflector. Hanging file drawer including bottom. Usable frame and drawer depth of 330 cm. Installation on a shelf or in a drawer. Length and crosswise divider for hanging file drawer available (optional).
Material & colour: Steel plate, SZ black.

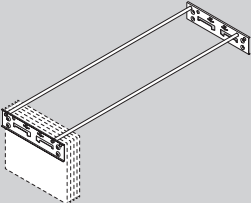





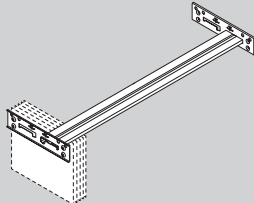
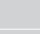
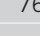
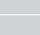
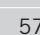

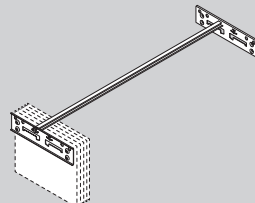
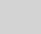
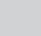
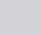
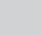

	Cabinet width, from	800	1,000	1,200	1,600	
 <p>Hanging file frame ^{1,2}</p>	 2S			571	771	
	 2F	762	962	1,162		
	 2R left side				571	
	 2R right side			571	771	
	 2R without middle panel	571		962		
 <p>Pull-out file frame ¹</p>	Width of insert	571	762	771	962	1,162
	Inside frame/drawer	480	680	680	880	1,080
	Max. index card trays					
	A6 landscape format	2	4	4	5	6
	A5 landscape format	2	3	3	3	4
 <p>File drawer ¹</p>	A4 landscape format	1	2	2	2	3
	Lengthwise divider for pull-out file drawer					
		Width: 221 mm Depth: 47 mm Height: 72 mm				
	Crosswise divider for pull-out file drawer					
		Width: 326 mm Depth: 10 mm Height: 76 mm				

¹ Installation not possible in hinged door cabinet on 5 / 6 file shelves.

² Some hinged door cabinets with 4 OH (file heights) cannot be equipped with labels because the distance between the HKRs is very small.

LATERAL FILING FRAME

Lateral filing frame are installed permanently on a shelf.
Material & colour: Steel plate, SZ black.

	Cabinet width, from	800	1000	1200	1600
 <p>Vetro Lateral</p>	 2S			571	771
	 2F	762	962		
	 2R left side				571
	 2R right side			571	771
	 2R without middle panel	571		962	
 <p>Multirex</p>	 2S			571	771
	 2F	762	962		
	 2R left side				571
	 2R right side			571	771
	 2R without middle panel	571		962	
 <p>Zippel</p>	 2S			571	771
	 2F	762	962		
	 2R left side				571
	 2R right side			571	771
	 2R without middle panel	571		962	

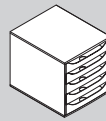
ORGANISATION ELEMENTS

DRAWER BOX

1 set, with 5 drawers, installable in all open compartments with appropriate dimensions.

Material & colour: recycled plastic, SZ black.

.....



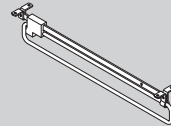
Width: 284 mm
Depth: 348 mm
Height: 290 mm

.....

PULL-OUT COAT RAIL

Install under the cabinet top or shelf bottom. Extension length about 230 mm.

Material & colour: Steel, CR chrome.



Width: 354 mm
Depth: 42 mm
Height: 60 mm

DIMENSIONS

GENERAL INFORMATION

As a rule, the dimensions are variable, but certain recommended values for widths, depths, and heights are pre-defined. Intermediate measurements are available for an additional surcharge. Detailed information is available in the pCon products.

U = lower cabinet
A = upper cabinet

SLIDING DOOR CABINET

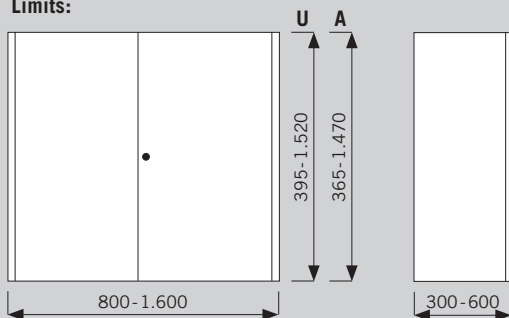
Recommended values

Widths: 1,200 | 1,600 mm

Depth: 445 mm

Height: 2 | 3 | 4 OH

Limits:



HINGED DOOR CABINET

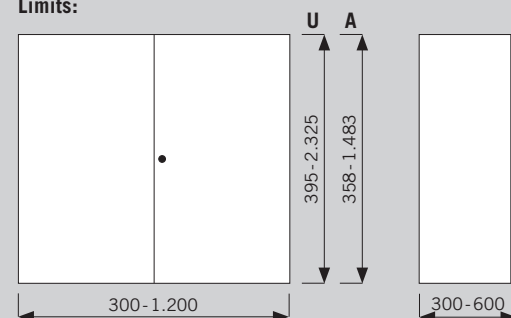
Recommended values

Widths: 400 | 800 | 1,000 | 1,200

Depth: 445 mm

Height: 2 | 3 | 4 | 5 | 6 | 2+3 OH | 3+3 OH | 2+4 OH

Limits:



OPEN SHELF CABINET

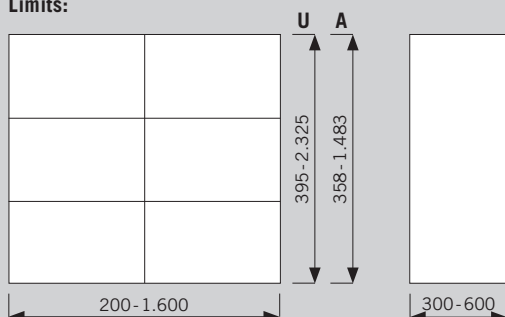
Recommended values

Widths: 400 | 800 | 1,000 | 1,200 | 1,600 mm

Depth: 445 mm

Height: 2 | 3 | 4 | 5 | 6 | 2+3 OH | 3+3 OH | 2+4 OH

Limits:



HORIZONTAL TAMBOUR CABINET

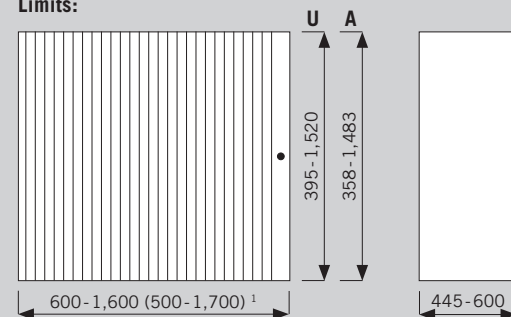
Recommended values

Widths: 800 (900) | 1,200 (1,300) | 1,600 (1,700) mm ¹

Depth: 445 mm

Height: 2 | 3 | 4 OH

Limits:



¹ Values in brackets are valid for horizontal tambour cabinet with retracting front

DIMENSIONS

DRAWER CABINET

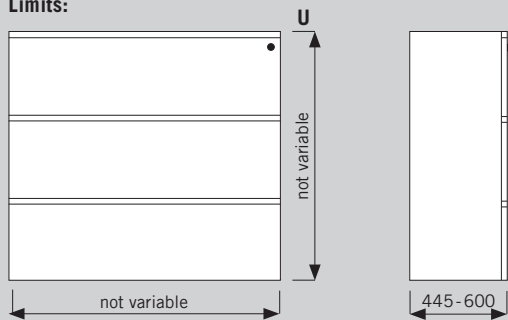
Recommended values

Widths: 800 | 1,000 | 1,200 mm

Depth: 445 mm

Height: 2 | 3 OH

Limits:



GLASS HINGED DOOR CABINET

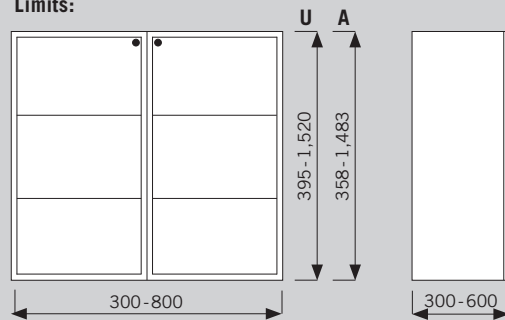
Recommended values

Widths: 400 | 800 mm

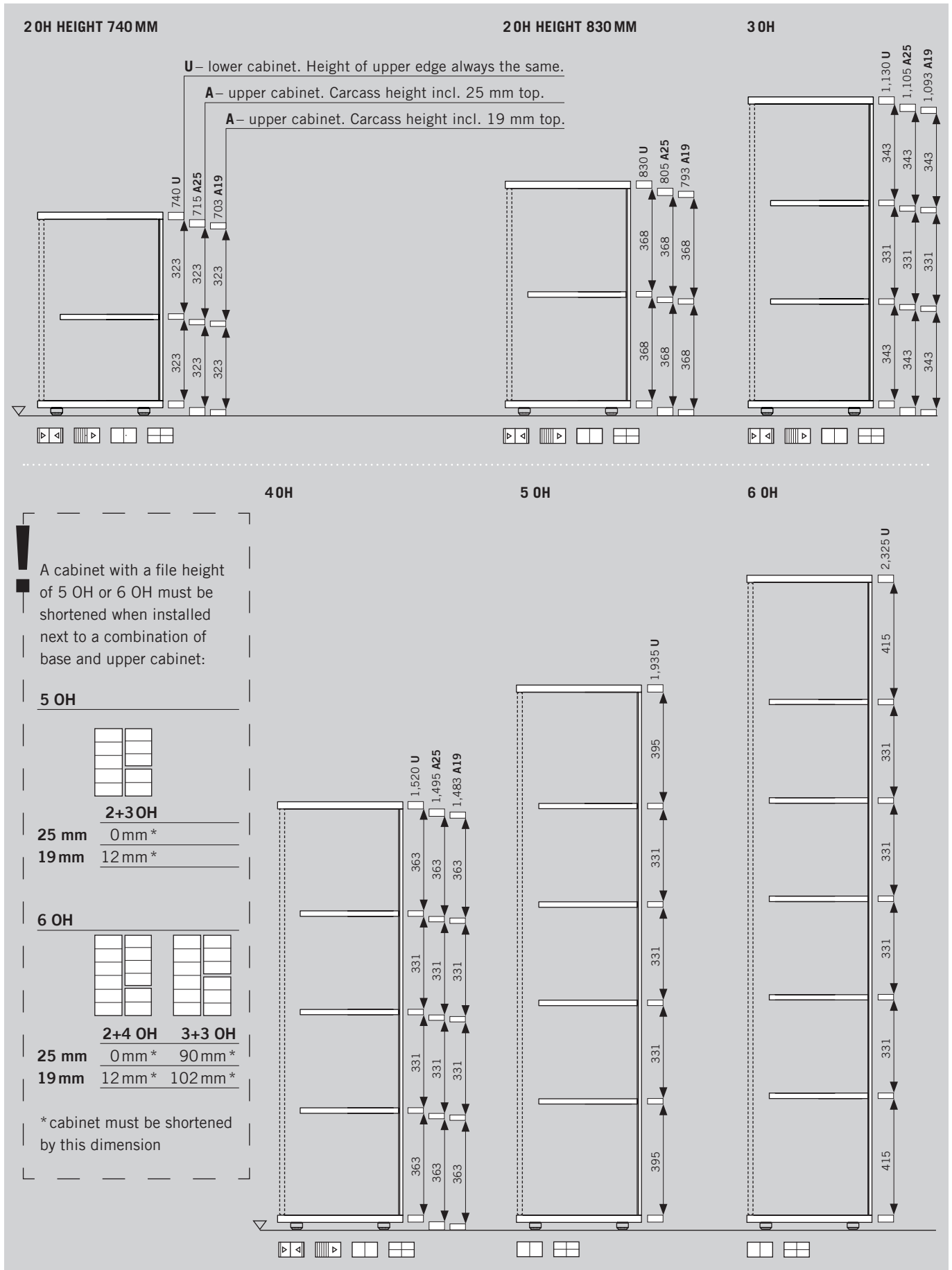
Depth: 445 mm

Height: 2 | 3 | 4 OH

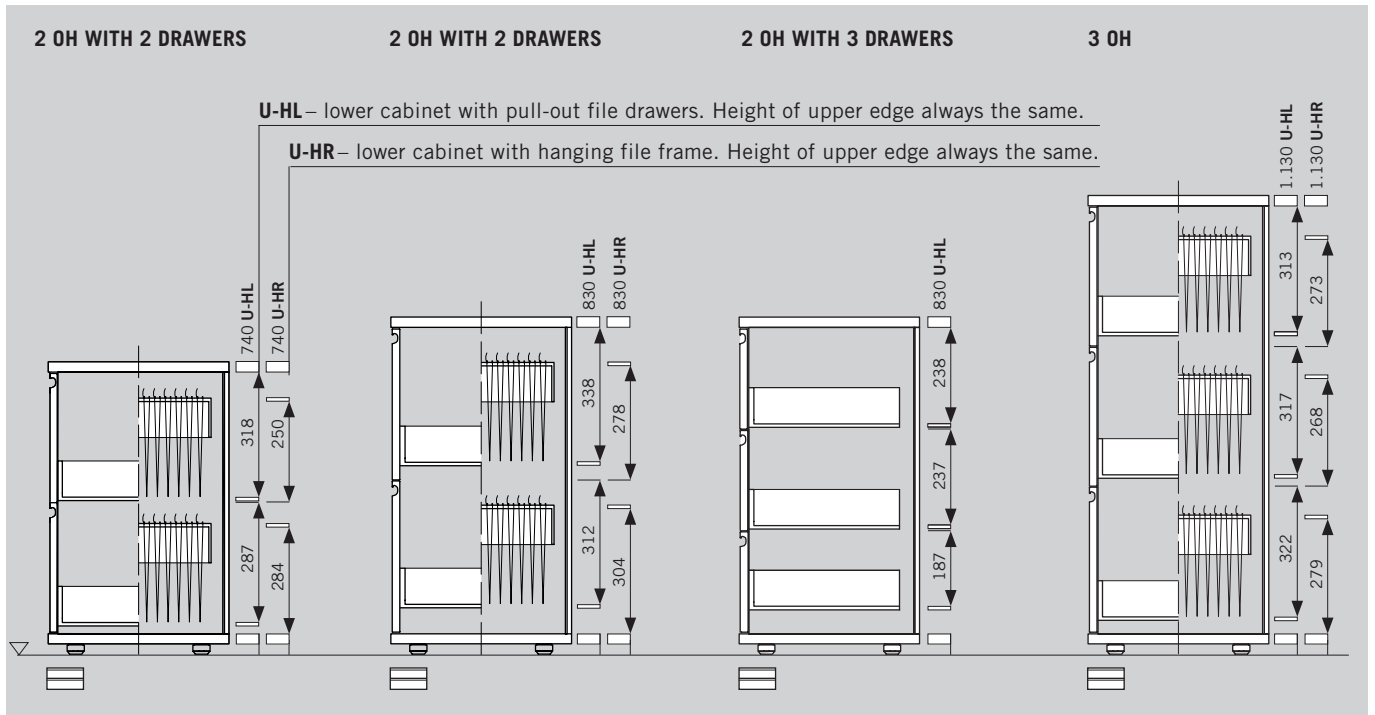
Limits:



DIMENSIONS – INTERNAL DIMENSIONS



DIMENSIONS – INTERNAL DIMENSIONS



COMBINATIONS AND ANTI-TIPPING PROTECTION

ANTI-TIPPING PROTECTION

The following cabinets need to be secured against tipping:

		Upper cabinet				
		XS Sliding door cabinet	XR Horizontal tambour cabinet + middle panel	XR Horizontal tambour cabinet without mid. panel	XO Open shelf cabinet	XF Hinged door cabinet
Lower cabinet	XS Sliding door cabinet					
	XR Horizontal tambour cabinet with middle panel					
	XR Horizontal tambour cabinet without middle panel				<= 800 	
	XO Open shelf cabinet	> 800 				
	XF Hinged door cabinet				<= 800 	
	XL Drawer cabinet				= 800 	

Combinations are allowed to a maximum overall height of 8 OH.

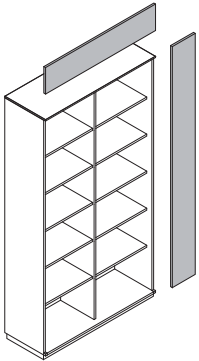
> 800 mm Combination is only possible for cabinet widths of more than 800 mm

= 800 mm Combination is only possible for cabinet widths of 800 mm

<= 800 mm Combination is only possible for cabinet widths of less than 800 mm

ARRANGEMENT OPTIONS

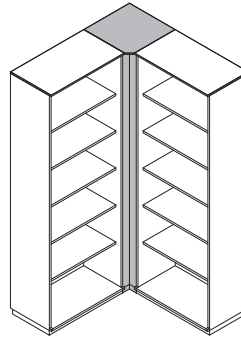
INFILL PANELS



Ceiling and lateral infill panels

Infill panels for connecting to the ceiling and walls of the building. The infill panels are of 19 mm chipboard.

Maximum dimensions: 1,600 x 250 mm for ceiling infill panels and 2,400 x 250 mm for lateral infill panels. Final cutting to size is done on site.



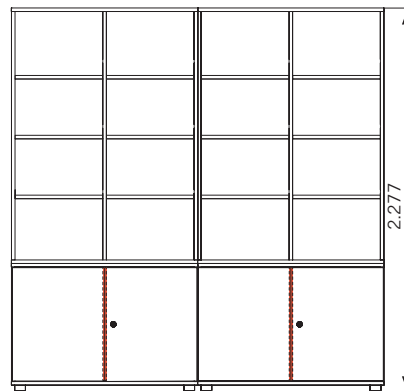
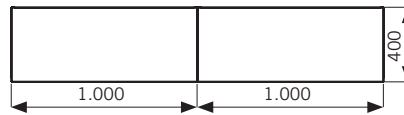
Cabinet corner infill panel

Infill panels to close gaps on 90° corners. The blind consists of a panel and base of 19 mm or 25 mm, front panel and two sides.

PLANNING INSTRUCTIONS

MIDDLE PANEL FOR LOWER/UPPER CABINAT COMBINATION

When combining a wide hinged door wardrobe without a middle panel (standard in pCon.planner) and smaller upper cabinets (see system symbol sketch), the deflection of the top plate of the lower cabinet can become critical. For this reason, it is essential that the middle panel for the lower cabinet is created via the customising.



FUNCTION & ORGANISATION

WARDROBE UNIT

In hinged door cabinets of 1,000-1,200 mm in width and heights of 4 OH or more, a wardrobe unit can be selected (optional). The interior is replaced with a pull-out coat rail (right-hand niche) and short shelves (left-hand niche). The niche for hanging coats is always the same width, while the niche with the compartments is variable. The hanging niche also comes with a loose shoe tray.

	Width 800 mm	Width 1,000 mm	Width 1,200 mm	Width 1,600 mm	
XS 4 OH					
XR 4 OH					Cabinet width 1,200 mm, wardrobe unit can only be installed with middle panel
XF 4 OH					Middle panel, 3 shelves with widths of 362-571 mm.
5 OH					Without hat shelf: Middle panel, 4 shelves with widths of 362-571 mm. With hat shelf: Middle panel, 3 shelves with widths of 362-571 mm.
6 OH					Middle panel, 4 shelves with widths of 362-571 mm, 1 upper shelf across the entire width.
	Width 900 mm		Width 1,300 mm	Width 1,700 mm	
XR 4 OH					XR with retracting front

WALL-MOUNTED WARDROBE UNIT



The wall-mounted wardrobe unit consists of a 25 mm chipboard panel equipped with clothes hooks. The number of clothes hooks (1-5) varies according to width.

Width: 200-1,000 mm
Depth: 25 mm
Height: 1,455-1,855 mm



WALL MIRROR

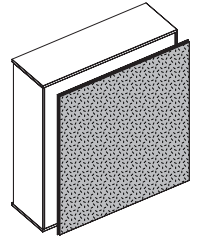
The wall mirror consists of 19 mm chipboard bonded to a mirror.

Width: 400 mm
Depth: 25 mm
Height: 1,855 mm

FUNCTION & ORGANISATION

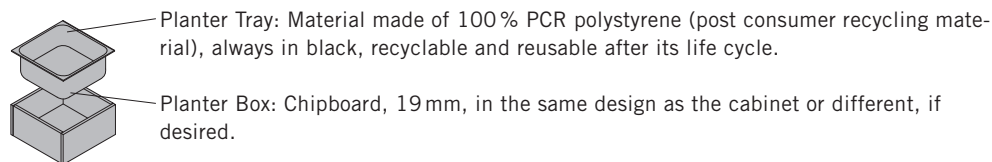
FABRIC REAR WALL

All cabinet types can be optionally equipped with a pinnable fabric rear wall. The existing rear wall that matches the carcass design is replaced by a fabric rear wall. This overlaps in the back by 4 mm.



PP PLANTER BOX

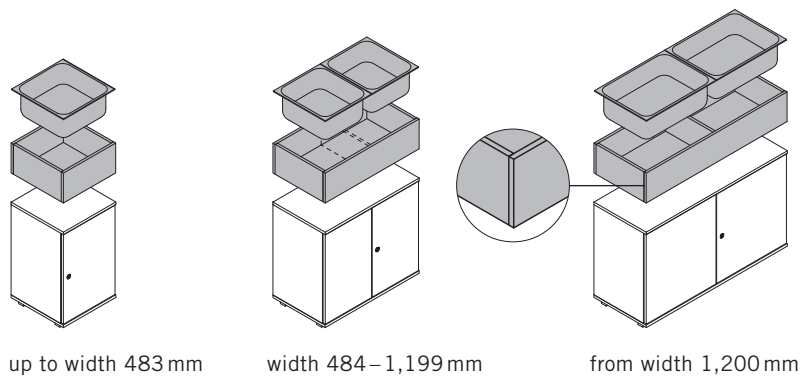
Optionally, a Planter Box can be placed on all cabinet types. This can be fitted with or without Planter Trays for planting. The Planter Box must be screwed to the base unit during assembly.



The Planter Box with matching Planter Trays is available in the following dimensions:

- Width 325 - 2,000 mm
- Depth 400 - 600 mm
- Height 220 - 300 mm



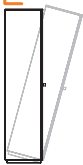



The following should be considered when configuring the Planter Box and Planter Tray:
Up to a width of 483 mm no middle panel is provided, from width 484 mm a middle panel can be selected on request, from width 1,200 mm the Planter Box is always equipped with a middle panel.



SAFETY INSTRUCTIONS

ANTI-TIPPING PROTECTION

The following cabinets need to be secured against tipping:

	Wall mounting bracket	Counterweight ¹
Lower cabinets with a height of 5 OH or more		
Upper cabinets		
Drawer cabinets		
Cabinets with built-in components ²		

¹ Steel panel counterweight. For cabinet width of 800 mm: 2 pcs.; for cabinet width of 1,200 mm: 3 pcs. Weight about 17 kg.

² Applies to the following built-in components: Hanging file frames, hanging frames, pull-out file drawers, and lateral filing frame.

INSPIRATIONS



Inspiration #01

Sliding door cabinet in 3 OH and a width of 1,200 mm. Carcass, front and interior in melamine white. KB Box in melamine accent colour with rear wall and sliding door front in perspex with satin finish. No top plate.



Inspiration #02

Horizontal tambour cabinet in 2 OH and a width of 1,200 mm. Carcass, top plate and interior in melamine white, tambour front in white.

INSPIRATIONS



Inspiration #03

Drawer cabinet in 3OH and a width of 1,200 mm. Carcass, front and interior in melamine white, top veneered in natural chestnut. Fronts with standard grip ledge. Interiors with pull-out file drawers.

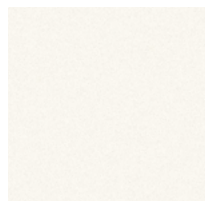


Inspiration #04

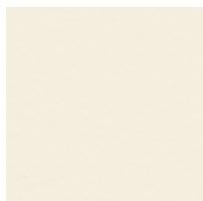
Combination of hinged door cabinets, lower and upper cabinet with 3OH each and width of 1,000 mm. Cabinets in melamine white, fronts with turning knob, lockable.

COLOURS AND MATERIALS

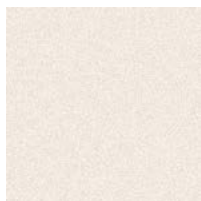
MELAMINE GROUP 1: Basic colours



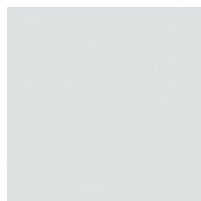
MW white



MQ office white



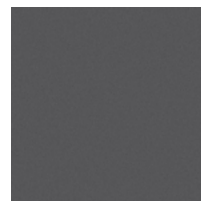
MC canvas



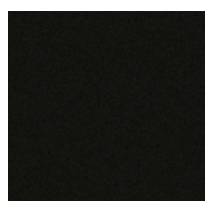
MP platinum



MA aluminium

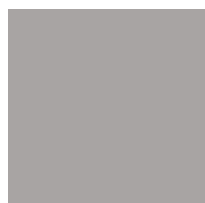


MS slate

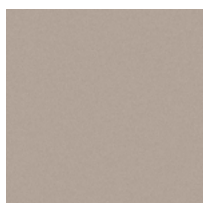


MB basalt

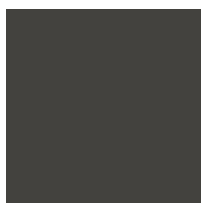
MELAMINE GROUP 2: Additional basic colours



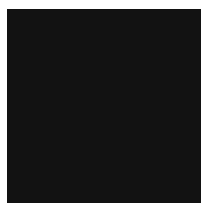
MH stone grey



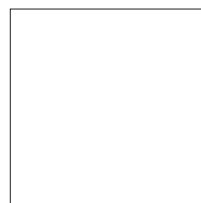
TM clay



MD urban grey

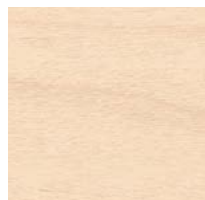


MGS graphite black



MSW snow white

MELAMINE GROUP 2: Decor colours



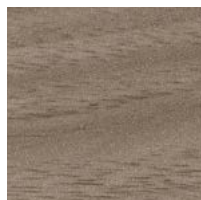
AR maple



EZ oak vicenza



BH beech light



NG walnut grey

MELAMINE GROUP 3: Accent colours



MPZ pistachio

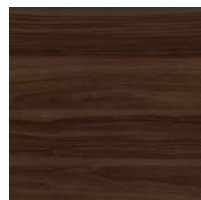


MHR light rose

MELAMINE GROUP 3: Decor colours, wooden texture



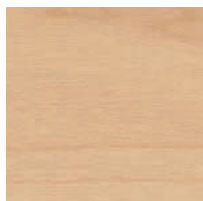
CO coco texture



MNP walnut pavia

COLOURS AND MATERIALS

VENEER: Maple



AK canadian maple

VENEER: Beech

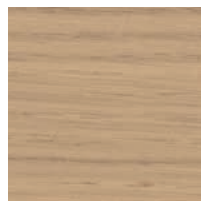


BG beech grey

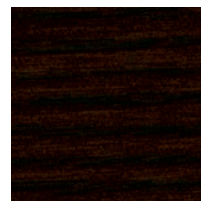
VENEER: Oak



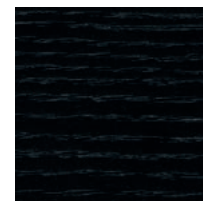
EF oak natural



EY oak sylt



ER oak amaretto

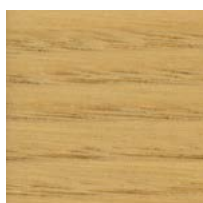


EV oak vulcano

VENEER: Chestnut



EG oak grey



KD chestnut natural



KP chestnut brown

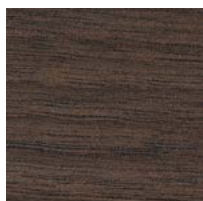


KQ chestnut grey

VENEER: Walnut



NF americ. walnut



NB walnut umbra



NA walnut anthracite



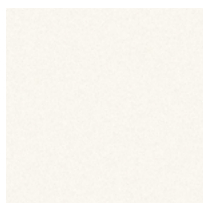
NR walnut siena

VENEER: Bamboo



BJ bamboo

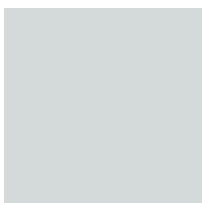
Solid-coloured plastic



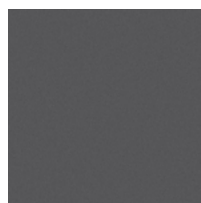
WI white



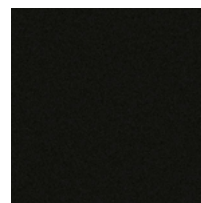
PL platinum



AM aluminium



MS slate

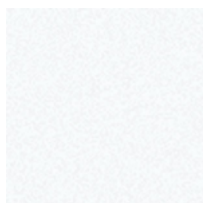


MB basalt

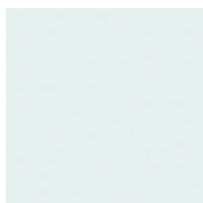


HB light brown

GLASS



KS clear glass



ST white satined

BASE



Black-grey

