

T-CADDY

The T Caddy family captivates with its distinguished design idiom. They function as personal accessory furniture directly at the workplace and increase storage volume within the user's immediate reach. Or they serve as mobile accessory furniture for team and project work, as well as

for non-territorial work.

The top feature functions support a diverse range of uses with their additional storage, seating possibilities and organisation, and they can be customised to the personal requirements of individual workers or entire teams.



bene

INSPIRING OFFICES. SINCE 1790.

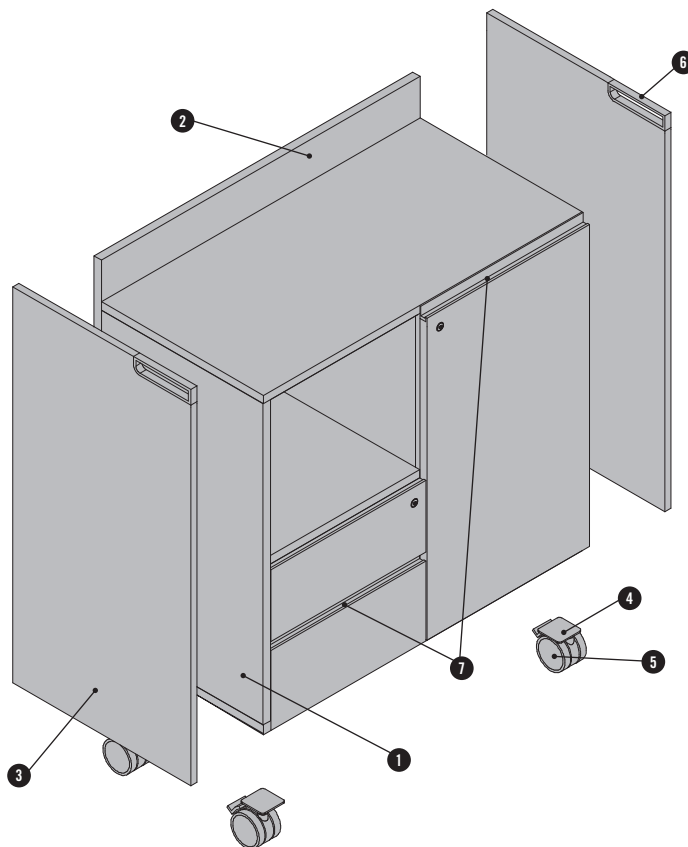
PRODUCT DESCRIPTION

T-CADDY

- 1 Body**
19 mm chipboard Consisting of sides, bottom base, top base and, depending on the body type, with middle panel and structural floor.
- 2 Rear wall:**
19 mm chipboard 95 mm top projection.
- 3 Covered side**
16 mm chipboard with plastic grip.
- 4 Castor seat**
- 5 Castors:**
Synthetic material. 2 braked and 2 unbraked.
Optionally available in WI white, AM aluminium or SZ black
- 6 Handle on cover side:**
Available in synthetic material (WI white or SZ black)
- 7 Inserted handle for drawer / hinged door:**
With inserted handle in in anodised AL aluminium, WI white or SZ black, powder coated.

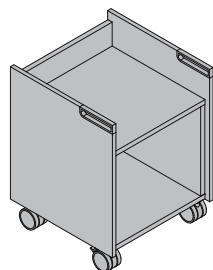
Name plate:

Each T-Caddy is delivered with a plastic nametag that can be positioned freely.
The nametag is 106mm wide and 71mm high.

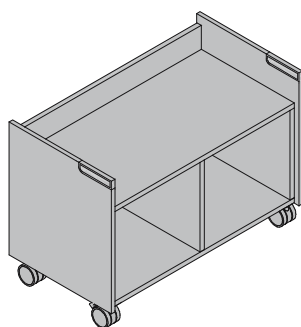


CARCASS TYPES

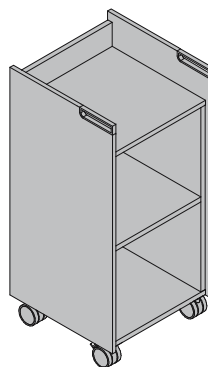
Mini



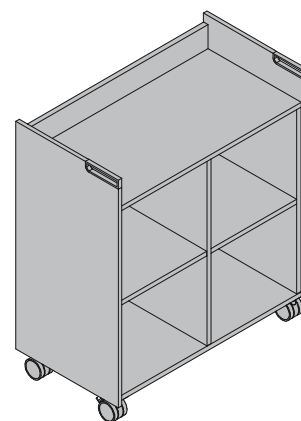
Small



Medium



Large



NICHE LABELS

Mini

1.1

Small

1.1	1.2
-----	-----

Medium

2.1
1.1

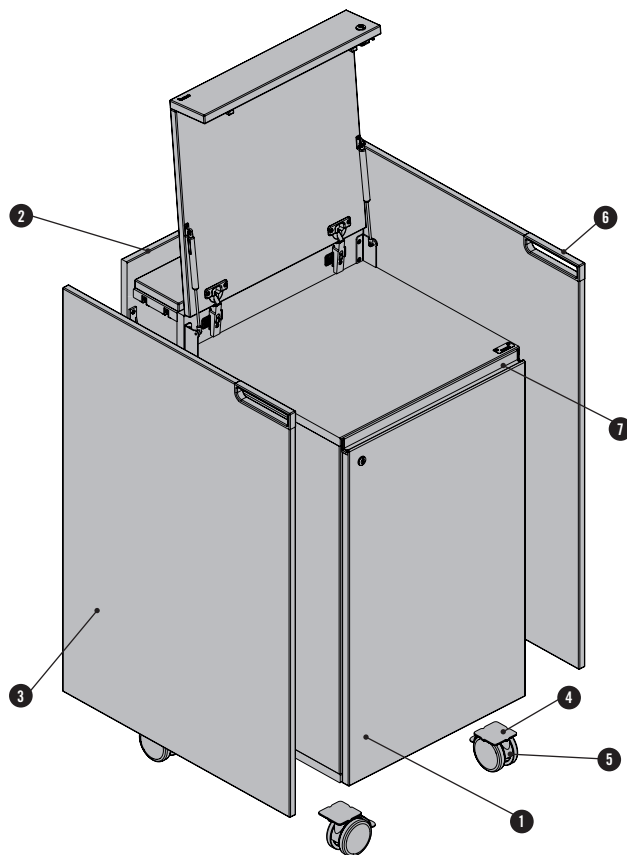
Large

2.1	2.2
1.1	1.2

PRODUCT DESCRIPTION

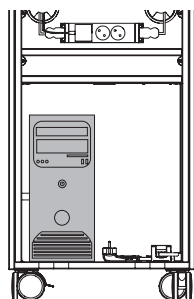
T-CADDY MEDIA

- 1 Body**
19 mm chipboard Consisting of sides, bottom base, top base and structural floor.
- 2 Rear wall:**
19 mm chipboard 95 mm top projection.
- 3 Covered side**
16 mm chipboard with plastic grip.
- 4 Castor seat**
- 5 Castors:**
Synthetic material. 2 braked and 2 unbraked.
Optionally available in WI white, AM aluminium or SZ black
- 6 Handle on cover side:**
Available in synthetic material (WI white or SZ black) or
- 7 Inserted handle for hinged door:**
With inserted handle in in anodised AL aluminium, WI white or SZ black, powder coated.



INSTALLATION DIMENSIONS

if a PC computer (incl. cable) is required in the T-Caddy Media, PC computer must be ordered separately, is not included in the scope of delivery

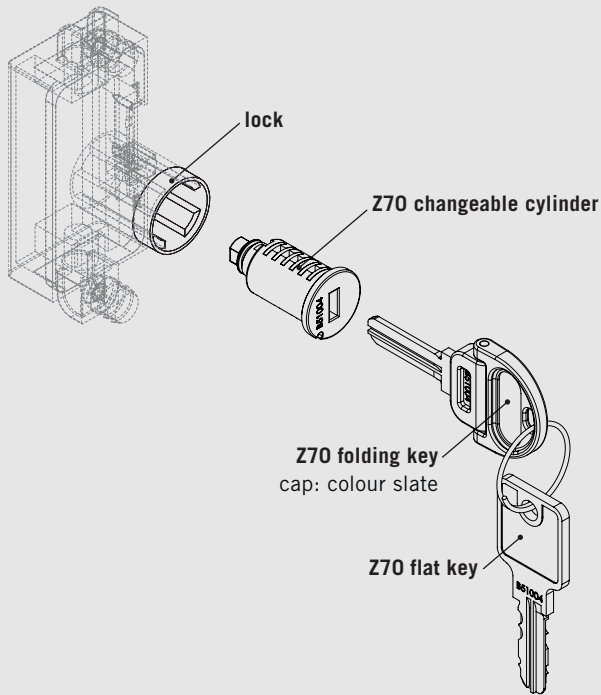


T-Caddy Media small:	T-Caddy Media large:
W: 348 mm	W: 408 mm
D: 580 mm	D: 580 mm
H: 475 mm	H: 475 mm

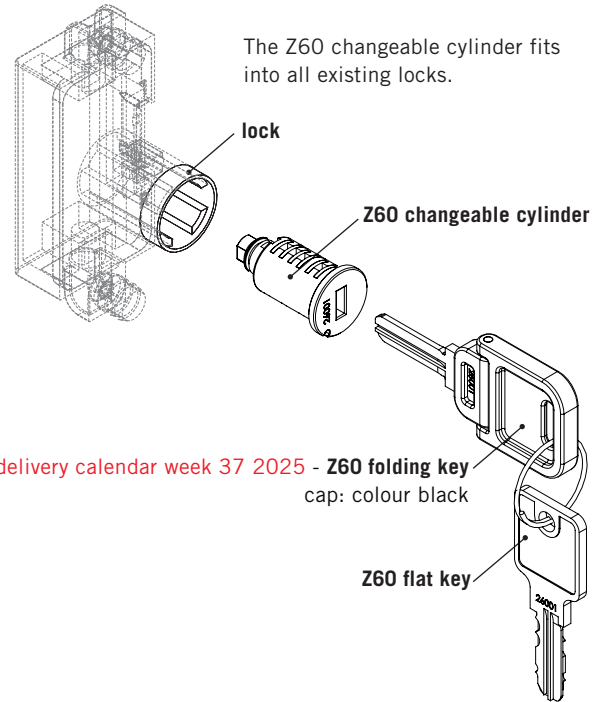
PRODUCT DESCRIPTION

CHANGEABLE CYLINDER

Z70 locking system - up to and including calendar week 36 Sep. 2025
The Z70 changeable cylinder covers key numbers from B51004 - B52994.



Z60 locking system - from delivery calendar week 37 Sep. 2025
The Z60 changeable cylinder covers key numbers from 26001 - 26200.



CONFIGURATION OPTIONS

- in furniture
- as a set (one changeable cylinder, one flat key and one folding key)
- service key

locking system Z70	up to and including calendar week 36 September 2025
random (no definition)	
locking group	A: B51104
	B: B51204
	C: B51304
	D: B51404
	E: B51504
	F: B51604
	G: B51704
	H: B51804
according to key code	B51004 - B52994

locking system Z60	from delivery calendar week 37 September 2025
random (no definition)	
according to key code	26001 - 26200

! Repeat orders are only possible as a set (always consists of a changeable cylinder, a flat key and a folding key) - no individual keys are available!

The service key for the Z70 system is not compatible with the Z60 system. Each system requires its own service key!

OPTIONS

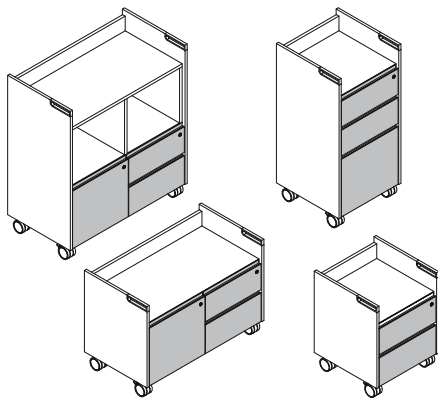
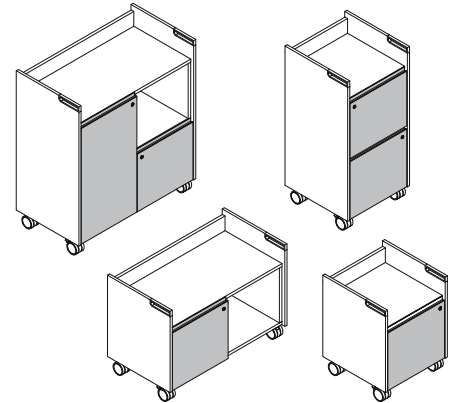
NICHE OPTIONS

Hinged doors

19 mm chipboard. With inserted handle in in anodised AL aluminium, WI white or SZ black, powder coated. Internal strap hinges, opening angle 120° or opening angle 110° and dampened.

Each niche can be individually fitted. The door hinge is always positioned on the outside of the body. The hinged door can also be connected via two niches to become a continuous hinged door.

With optional lock, this option always applies to the entire front. Lock position is always located on the opposite side of the door hinge.



Drawers

19 mm chipboard. With inserted handle in in anodised AL aluminium, WI white or SZ black, powder coated. The drawers are always self-closing, fully-extendable metal drawers, with optional shock absorption.

Each niche can be individually fitted. Drawers are either configurable as “1 drawer” in a niche or as “2 drawers” in a niche. If two niches are stacked on top of each other, the structural floor between the two niches is removed.

With optional lock including locking bar for pull-out stop. The option always applies to the entire front. Lock position always on the right.

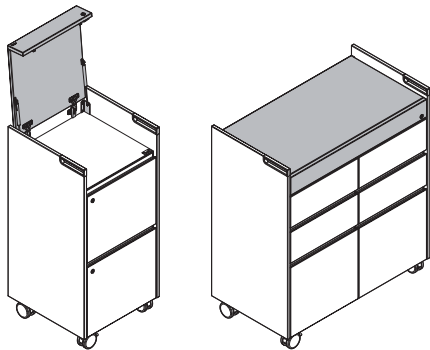
When installing hinged doors and/or drawers, counterweights must be installed due to the risk of tilting. For more information see → chapter “Safety instructions”

OPTIONS

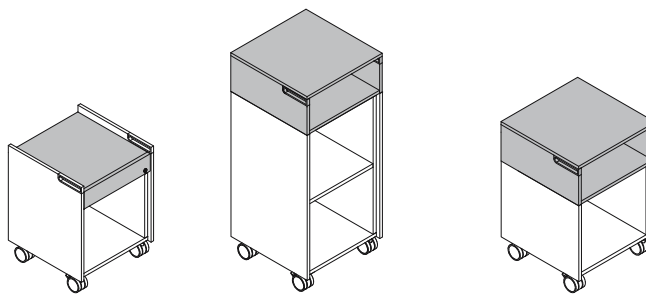
TOP FEATURES

Top Flap, Top Box and Top Board are made of chipboard and are available for all Caddy types. Top Flap, Top Box, Top Board and Top Seat can be combined with each other.

Top Flap

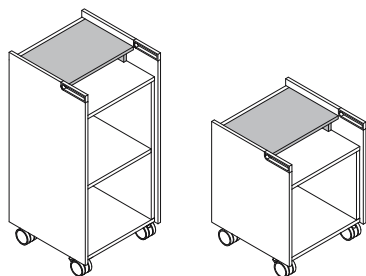


Top Box



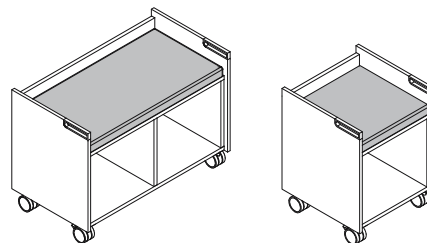
With rear pneumatic spring. Can be opened by simply lifting the flap. A lock, consisting of an interchangeable cylinder with two keys (one of which is foldable) is included. Position is always on the right. Also available without lock.

Top Board



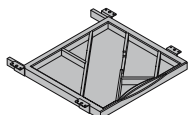
The Top Board is not affixed and can be removed.

Top Seat



The Top Seat is only available for the Caddy Mini & Small. It is made of polyurethane cold foam and covered by fabric or imitation leather.

ACCESSORY TRAY



The accessory pullout is always affixed to the bottom of the top floor. No drawer may be installed in the niche underneath. Depending on Caddy type, one or two accessory extensions can be attached (left and/or right).

ORGANISATION ELEMENTS

TOP FLAP ORGANISATION

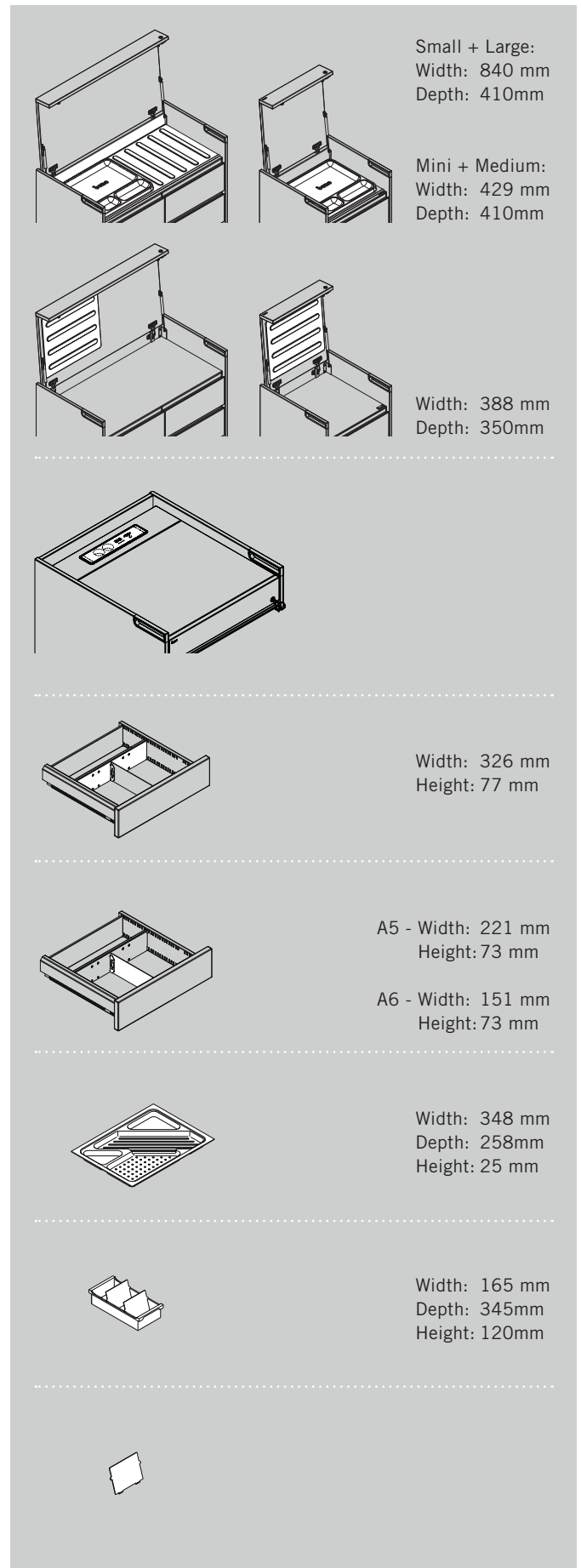
The Top Flap can be optionally equipped with the Flap Tray and/or Flap Board.

Flap Tray

The Flap Tray can be used for storing accessories and notebooks.
Size according to Caddy type.
Material & colour: Felt, DG Grey.

Flap Board

The Flap Board is suitable for use with pins. The size is always the same.
Material & colour: Felt, DG Grey.



STAMP HOLDER

Installed in drawer.
Material & colour: Steel, SZ black.

WIDTH DIVIDER

For compartmentalising a drawer.
Material & colour: Plastic, SZ black

LENGTH DIVIDER

In A5 or A6. In combination with a width divider.
Material & colour: Plastic, SZ black

ACCESSORY TRAY

Can be inserted in a drawer.
Material & colour: Plastic, SZ black

CARD INDEX TRAYS A6 HORIZONTAL

Installed in drawer. Two swivel plates included.
Material & colour: Plastic, PL platinum.

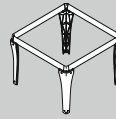
SWIVEL PLATE, A6 HORIZONTAL

Can be horizontally suspended in the A6 card index tray.
Material & colour: Plastic, PL platinum.

ORGANISATION ELEMENTS

HANGING CRADLE FOR DRAWER

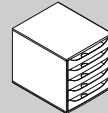
Installable when 1 drawer is selected as the Caddy front.
Optionally available with elevation.
Material & colour: Plastic feet in SZ black, frame in nickel-plated profile steel.



Width: 350 mm
Depth: 350mm
Height: 243mm

DRAWER BOX

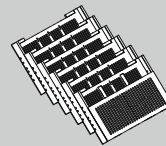
1 set, with 5 drawers, installable in all open compartments with appropriate dimensions.
Material & colour: recycled plastic, SZ black



Width: 284 mm
Depth: 348mm
Height: 290mm

STATIONERY INSERT

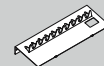
For drawers with 6 sloped trays.
Material & colour: Plastic, SZ black



Width: 327 mm
Depth: 346mm
Height: 199mm

STAMP HOLDER

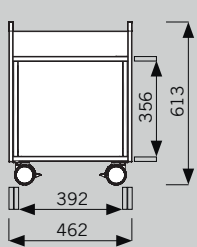
Installed in drawer.
Material & colour: Steel, SZ black.



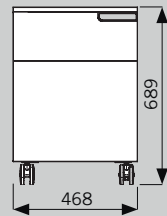
Width: 325 mm
Depth: 108mm
Height: 45 mm

DIMENSIONS

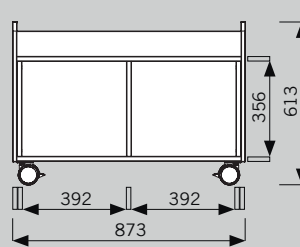
MINI
open



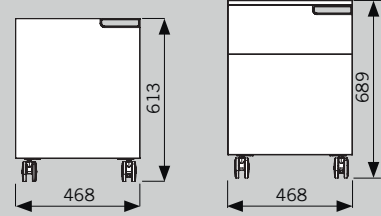
with Top Box



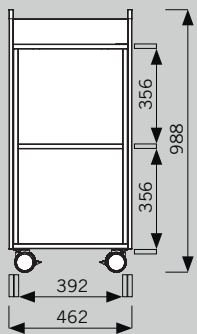
SMALL
open



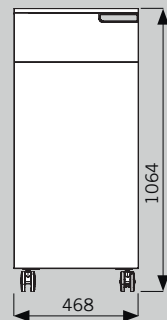
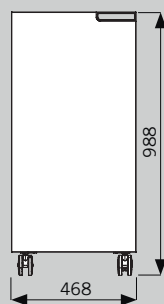
with Top Box



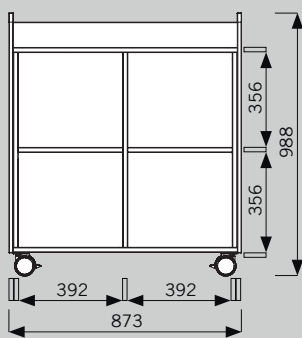
MEDIUM
open



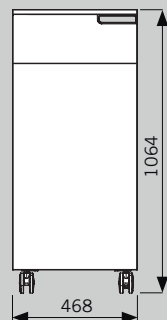
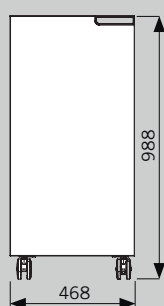
with Top Box



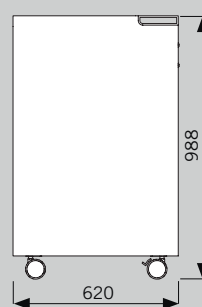
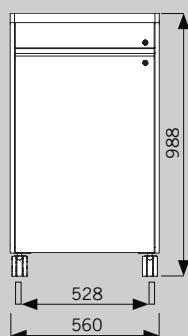
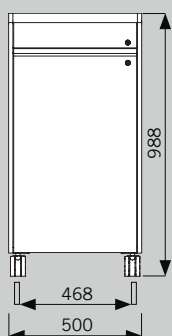
LARGE
open



with Top Box

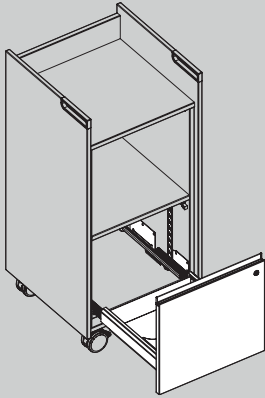


MEDIA



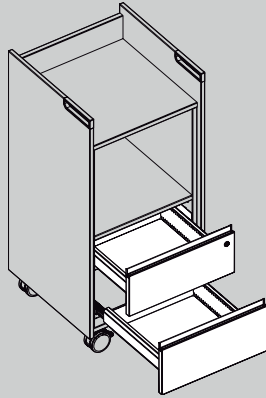
DIMENSIONS

INNER WIDTHS
1 drawer



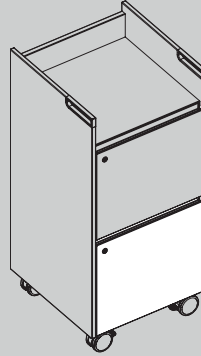
Width: 327 mm
Depth: 330mm
Height: 315mm

2 drawers



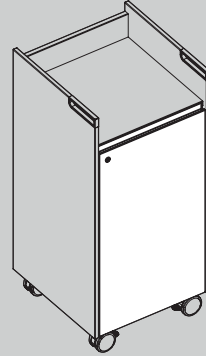
Width: 327 mm
Depth: 330mm
Height: 144mm

Hinged door, 1 niche high



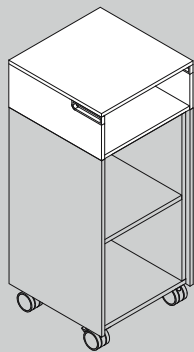
Width: 392 mm
Depth: 422mm
Height: 356 mm

Hinged door, 2 niches high



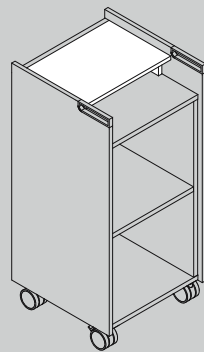
Width: 392 mm
Depth: 422mm
Height: 356 mm

Top Box



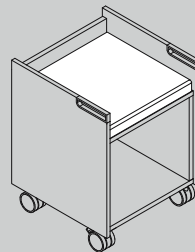
Width: 462 / 873 mm
Depth: 468 mm
Height: 206 mm

Top Board

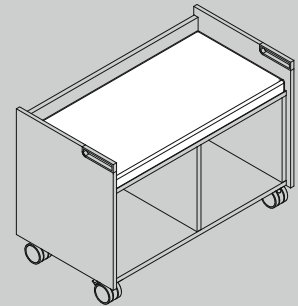


Width: 430 mm
Depth: 296 mm
Height: 93 mm

Top Seat



Width: 425 mm
Depth: 444 mm
Height: 45 mm



Width: 836 mm
Depth: 444 mm
Height: 45 mm

SAFETY INSTRUCTIONS

COUNTERWEIGHT

To ensure that the Caddys stand securely, iron counterweights are installed depending on the dimensions of the body and front. Dimensions: Width 388 mm, depth 25 mm, height 60 mm. The weight is approximately 4,5 kg per counterweight. All the combinations that are not listed to do not require any counterweights.

Small	Installation location	Number of counterweights
1 x 1 drawer		1
1 x 1 drawer and 1 x 2 drawers		2
1 x 1 drawer and 1 hinged door		1
2 x 1 drawer		4
Medium	Installation location	Number of counterweights
1 x 1 drawer; 1 hinged door		1
Large	Installation location	Number of counterweights
2 x 1 adjacent drawer		2
3 x 1 drawer		2
4 x 1 drawer		2

Given the weight, only niches with "1 drawer" are provided for the Caddy Large. The other niches can be configured as desired.

COLOURS AND MATERIALS

MATERIALS AND SURFACES

The following materials and colours are available for this product.

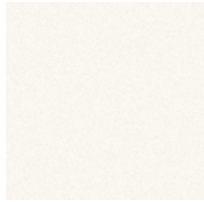
- available
- not available

Product	Melamine	Veneer	Plastic WI white	Plastic SZ black	Fabric group PO-P5	Imitation leather group P2, P3	AL aluminium anodised	WI white powder-coated	SZ black powder-coated
Caddy body	•	•	-	-	-	-	-	-	-
Caddy cover sides	•	•	-	-	-	-	-	-	-
Caddy cover sides - inserted handle	-	-	•	•	-	-	-	-	-
Caddy front	•	•	-	-	-	-	-	-	-
Caddy front - inserted handle	-	-	-	-	-	-	•	•	•
Top Flap	•	•	-	-	-	-	-	-	-
Top Box	•	•	-	-	-	-	-	-	-
Top Board	•	•	-	-	-	-	-	-	-
Top Seat	-	-	-	-	•	•	-	-	-

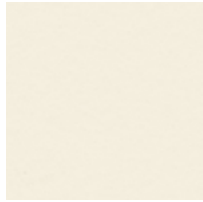
Colours and colour illustration included → “Colours & materials”

COLOURS & MATERIALS

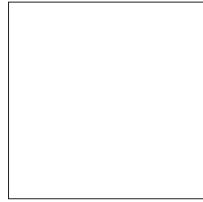
MELAMINE



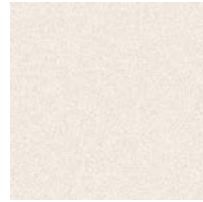
MW white



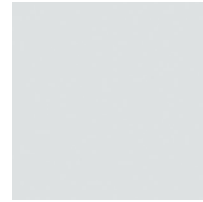
MQ office white



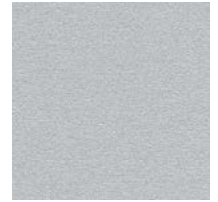
MSW snow white



MC canvas



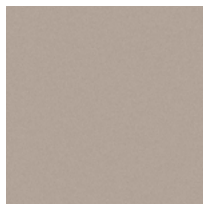
MP platinum



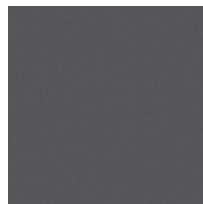
MA aluminium



MH stone grey



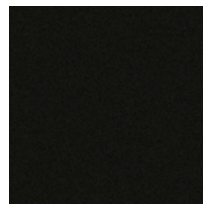
TM clay



MS slate



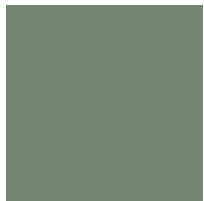
MD urban grey



MB basalt



MHR light rose



MJG jade green



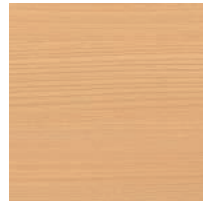
EZ oak vicenza



MEK oak kendal



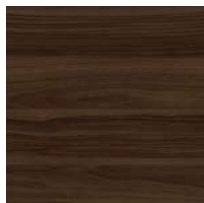
MAK maple classic



MBK beech classic



NG walnut grey



MNP walnut pavia

COLOURS & MATERIALS

VENEER



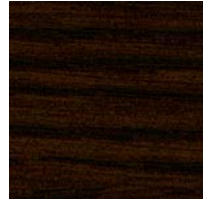
EF oak natural ¹



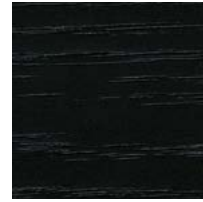
EY oak sylt ¹



EG oak grey ¹



ER oak amaretto ¹



EV oak vulcano ¹



NF american walnut ¹



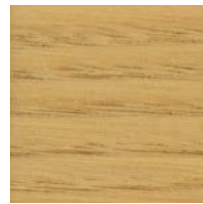
NR walnut siena ¹



NB walnut umbra ¹



NA walnut anthracite ¹



KD chestnut natural ¹



KP chestnut brown ¹



KQ chestnut grey ¹



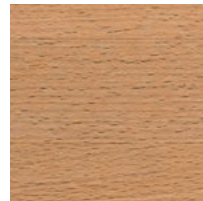
AK canadian maple ¹



BJ bamboo



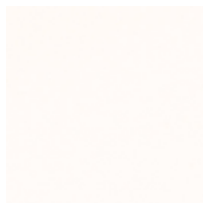
BG beech grey ¹



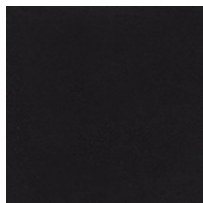
BU beech natural ¹

¹ Veneers also available in matt finish.

FENIX™



white



black

COLOURS & MATERIALS

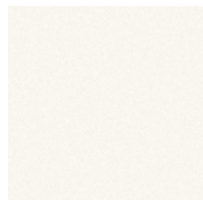
FABRIC AND IMITATION LEATHER



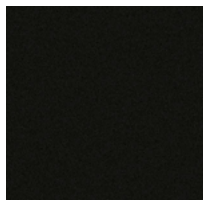
Different fabric collections are available as cover: Xtreme Plus, Urban Plus, Inn, Era, Step, Step Melange, Soft Next, Remix, Mainline Flax, Focus, Bonsai Reboot, Chance, Panama, Fiord, Steelcut, Fox, Assam, Focus Melange, Artisan, The Cool, Steelcut Trio, Hallingdal, Elle, Coda. More information about the specific fabric collections is available at www.bene.com.

Our outdoor fabrics can also be used on products for indoor use. However, this does not mean that the indoor products are suitable for outdoor use.

PLASTIC

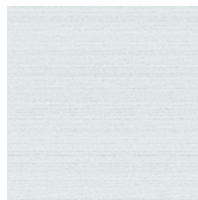


MW white



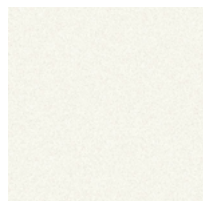
MB basalt

ALUMINIUM ANODISED



aluminium

METAL POWDER-COATED



WI white



SZ noir