

# T-PANEL ACOUSTIC

The T-Panel Acoustic ensures effective noise reduction (absorber class A) at the workplace. Its design, with the rounded top edge and the textile surface, creates a pleasant and modern atmosphere. The design allows the fabric cover to be replaced in the event of soiling or damage and stands for durability. Thanks to the use of fewer materials, a high propor-

tion of natural materials and the ability to separate and recycle all components by type, the table panel is particularly sustainable. Thanks to its special core material with its high sound-absorbing properties, the T-Panel Acoustic is the perfect addition to the workplace and promotes concentration in open-plan office environments.

**Design: Christian Horner**

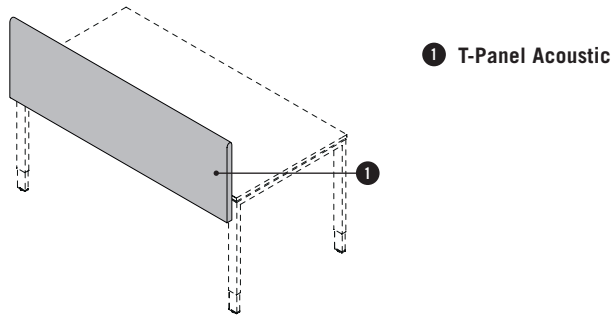


**bene**

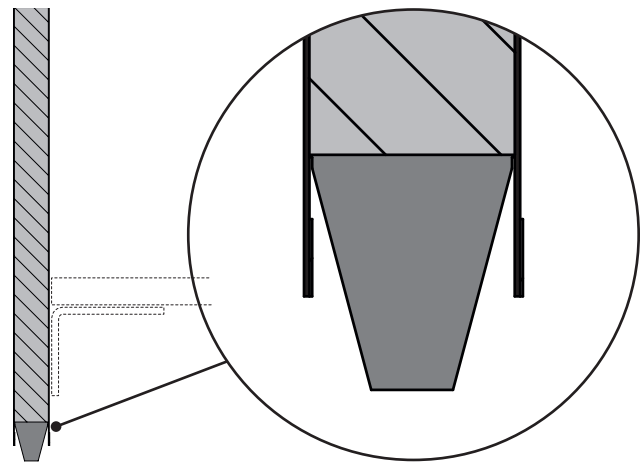
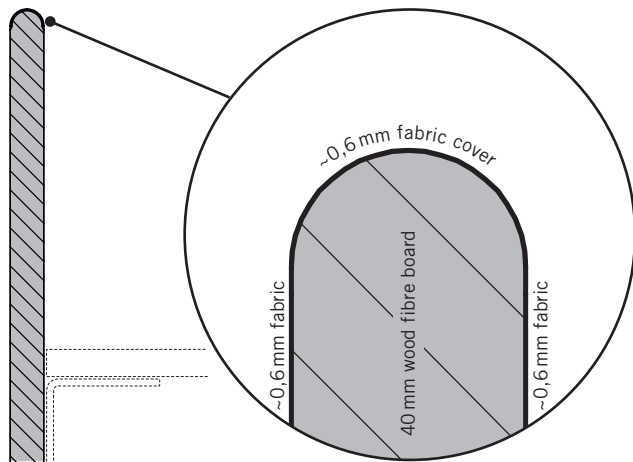
**INSPIRING OFFICES. SINCE 1790.**

## PRODUCT DESCRIPTION

T-Panels applicable for Workstation, LEVEL (LIFT) (PURE) (TWIN) Family and Workbench.  
Panel coverings are available in fabric groups P0-P5, from the Bene fabric collection. Fabric cover can be replaced by a Bene service employee if damaged or soiled.



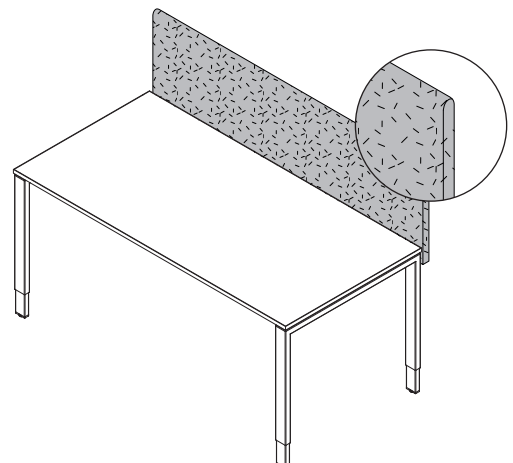
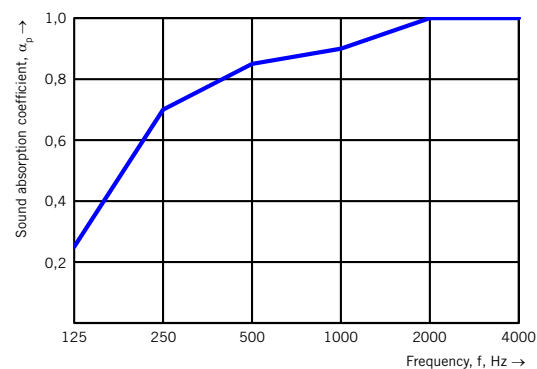
### T-PANEL ACOUSTIC CONSTRUCTION



40 mm wood fibre board, covered with fabric cover, closed at the bottom with velcro fastener

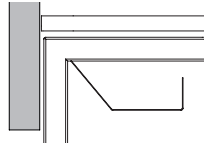
### ABSORPTION CLASS A

Sound absorption according to ISO 11654  
Rated sound absorption level  $\alpha_w$  0.90  
(in acoustically activated areas), Absorption class = A

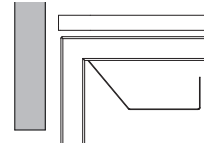


# PRODUCT DESCRIPTION

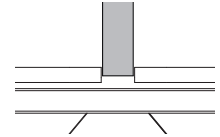
## POSSIBLE POSITIONS FOR ATTACHING THE PANEL TO THE TABLE SIDES



behind desk top  
with 2 mm gap



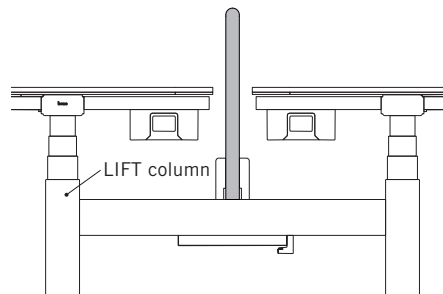
behind desk top  
with 20 mm gap



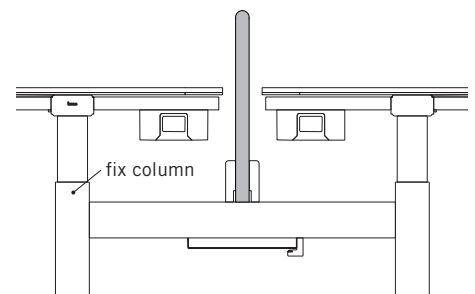
in  
top gap

**Table top positioning**

Workstation	V, VL, VR, L, R, VS	V, VL, VR, L, R, VS	-
Workbench	-	-	V
LEVEL (LIFT) (PURE) family	V	V	-



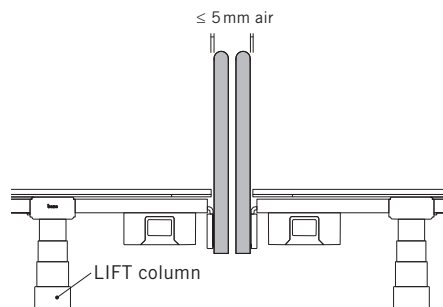
centred on  
connecting bar



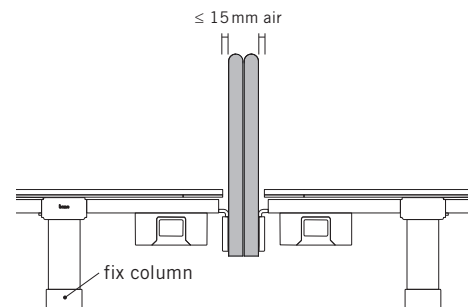
centred on  
connecting bar

**Table top positioning**

LEVEL LIFT (PURE) TWIN <sup>1</sup>	V	-
LEVEL (PURE) TWIN <sup>1</sup>	-	V



behind desk top  
with 20 mm gap



behind desk top  
with 20 mm gap

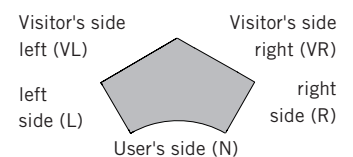
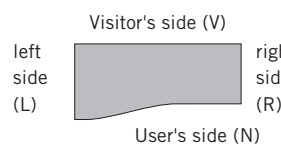
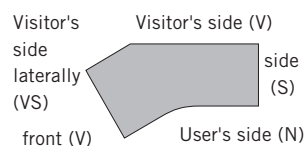
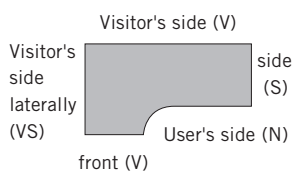
**Table top positioning**

LEVEL LIFT (PURE) TWIN <sup>1</sup>	V	-
LEVEL (PURE) TWIN <sup>1</sup>	-	V









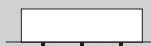
<sup>1</sup> LEVEL LIFT TWIN/LEVEL LIFT PURE TWIN gap between tabletop and T-Panel Curve max. ≤ 5 mm possible  
LEVEL TWIN/LEVEL PURE TWIN gap between tabletop and T-Panel Curve max. ≤ 15 mm possible

### DEFINITION OF TABLE TOP SIDES / PANEL ALIGNMENT

The following diagrams show panel shapes in a left sided perspective. Right sided would be a mirror image.



## OVERVIEW & DIMENSIONS

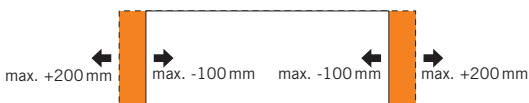
<p><b>WORKSTATION</b> <b>PANEL TYPES VISITOR'S SIDE / VISITOR'S SIDE LATERALLY</b></p> <p><b>T-Panel Acoustic</b> panel width: 800 - 2.400</p> <p><b>Connection with 2 mm/20 mm gap</b> height of top edge/bottom edge 590/1.005</p>  <p>590/1.135</p> 	<p><b>PANEL TYPES LATERALLY / FRONT / LEFT AND RIGHT SIDE</b></p> <p><b>T-Panel Acoustic</b> panel width: 600 - 1.000</p> <p><b>Connection with 2 mm/20 mm gap</b> height of top edge/bottom edge 590/1.005</p>  <p>590/1.135</p> 
<p><b>LEVEL/LEVEL PURE</b> <b>PANEL TYPES VISITOR'S SIDE / VISITOR'S SIDE LATERALLY</b></p> <p><b>T-Panel Acoustic</b> panel width: 800 - 2.400</p> <p><b>Connection with 2 mm/20 mm gap</b> height of top edge/bottom edge 568/1.005</p>  <p>568/1.135</p>  <p><b>Connection centered on connecting bar (TWIN)</b> height of top edge/bottom edge 436/1.005</p> 	<p><b>WORKBENCH</b> <b>PANEL TYPES VISITOR'S SIDE</b></p> <p><b>T-Panel Acoustic</b> panel width: 800 - 2.400</p> <p><b>Connection in top gap</b> height of top edge/bottom edge 715/1.005</p>  <p>715/1.135</p> 

Measurements in mm

### PANEL OVERHANGS

The panel can be enlarged or reduced in different directions by the specified dimensions.

#### T-Panel Acoustic



## COLOURS & MATERIALS



Various material collections are available as cover materials: Inn, Era, Step, Step Melange, Remix, Europost, Mainline Flax, Assam, Fiord, Divina MD, Coda, Elle.

More information about the specific fabric collections is available at [www.bene.com](http://www.bene.com).