

X-PRESS

X-PRESS, BECAUSE ERGONOMICS IS NOT A QUESTION OF SIZE.

Great ideas and the best thinking can happen even in smallest of spaces. The new X-PRESS desk not only fits in to any space but can also be perfectly adapted to individual needs; optimal working and ergonomic conditions are always possible, by way of three adjustable height settings. Whenever and wherever required X-PRESS can be used as a personal work desk. When not in use it can be quickly folded and neatly stored away, with just a flick of

the wrist. It's also well suited to workshop and project spaces, where people work together in teams as well as independently.

X-PRESS also provides the perfect foundation for the study or the bedroom, the desk cuts a fine figure anywhere, seamlessly blending into any interiors design scheme, thanks to a wide range of timeless colour finishes from the Bene spectrum.



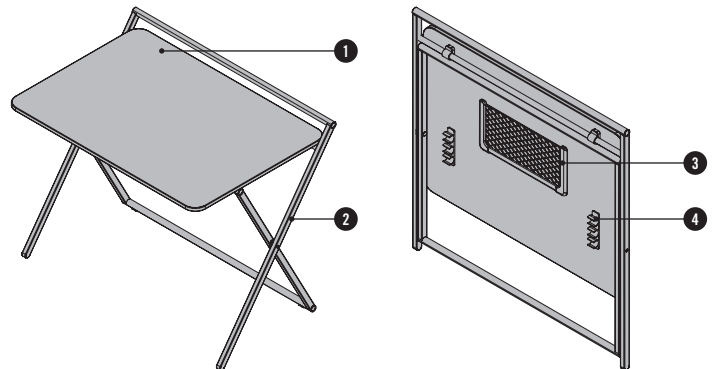
bene

INSPIRING OFFICES. SINCE 1790.

PRODUCT DESCRIPTION

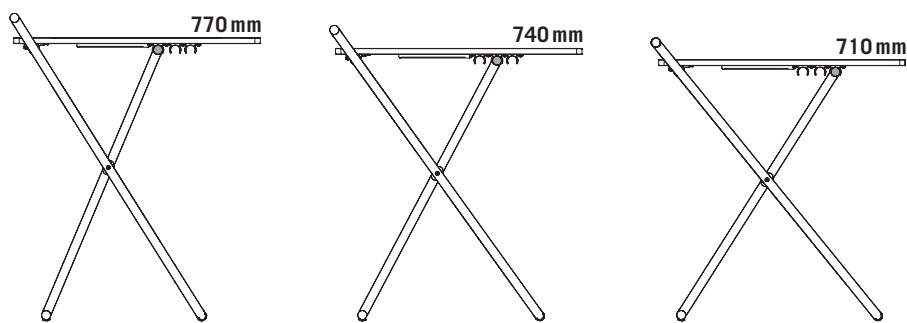
The distinctive powder-coated metal X-shaped frame always ensures stability, while the shapely tabletop provides ample space for all necessary work tools. Thanks to a wide range of timeless colour finishes, X-PRESS seamlessly blends into any interior design scheme.

- ❶ **Table top:** 16 mm chipboard, melamine or veneer
- ❷ **Frame:** available in different colours, see chapter „colours & materials“
- ❸ **Storage net:** black, enables cables and other personal items to be neatly stored away when both in the folded and unfolded position.
- ❹ **Synthetic material parts:** black

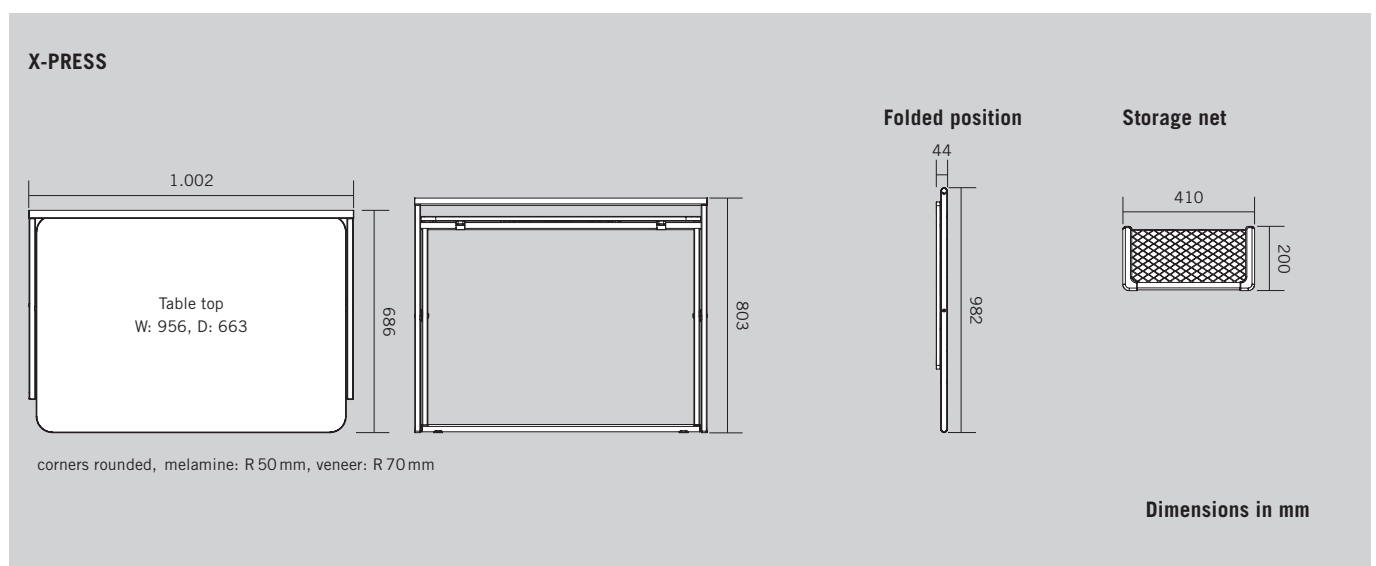


HEIGHTS

Tool-free height adjustment in three levels.



OVERVIEW & DIMENSIONS



INSPIRATIONS



Inspiration #01

X-PRESS

- Table top: melamine white
- Edge: white
- Frame: metal surface powder-coated, metallic green

Bay Chair

- Colour backrest/seat: Mainline Flax MLF12



Inspiration #02

X-PRESS

- Table top: melamine white
- Edge: laminated birch coloured
- Frame: metal surface powder-coated, white

Bay Chair

- Colour backrest/seat: Europost 66119



Inspiration #03

X-PRESS

- Table top: basalt
- Edge: basalt
- Frame: metal surface powder-coated, metallic blue

Bay Chair

- Colour backrest/seat: Mainline Flax MLF16



Inspiration #04

X-PRESS

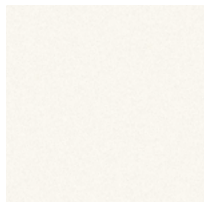
- Table top: clay
- Edge: clay
- Frame: metal surface powder-coated, metallic brown

Bay Chair

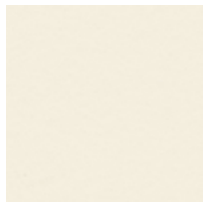
- Colour backrest/seat: Mainline Flax MLF16

MELAMINE

MELAMINE GROUP 1: Basic colours¹



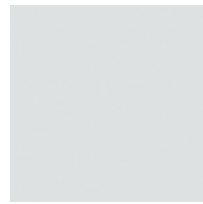
MW white



MQ office white



MC canvas³



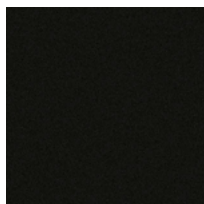
MP platinum^{2,3}



MA aluminium³



MS slate^{2,3}

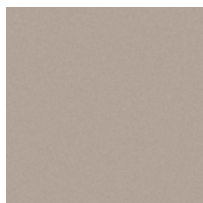


MB basalt

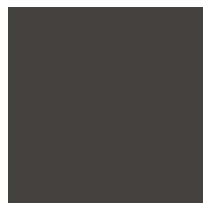
MELAMINE GROUP 2: Additional basic colours¹



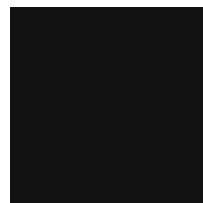
MH stone grey



TM clay



MD urban grey



MGS graphite black



MSW snow white

MELAMINE GROUP 2: Decor colours¹



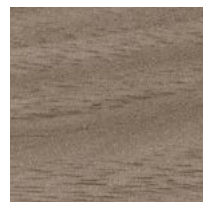
AR maple



EZ oak vicenza



BH beech light



NG walnut grey

MELAMINE GROUP 3: Accent colours¹

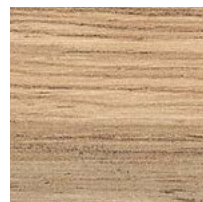


MPZ pistachio

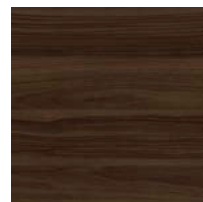


MHR light rose

MELAMINE GROUP 3: Decor colours, wooden texture¹



CO coco texture



MNP walnut pavia

¹ only available with 2 mm mono-edge

COLOURS & MATERIALS

VENEER: Maple



AK canad. maple

VENEER: Beech

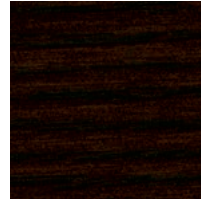


BG beech, grey

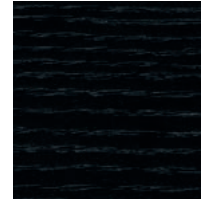
VENEER: Oak



EY oak, silt



ER oak, amaretto



EV oak, volcano



EG oak grey

VENEER: Chestnut



KD chestnut natural



KP chestnut brown



KQ chestnut grey

VENEER: Walnut



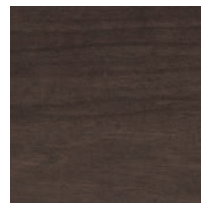
NF americ. walnut



NR walnut, sienna



NB walnut, umbra



NA wal., anthracite

VENEER: Bamboo

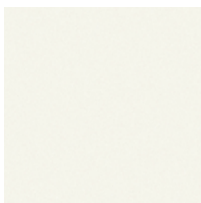


BJ bamboo

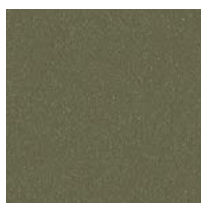
METAL SURFACE POWDER-COATED (FRAME)



black



white



metallic green
68/50394



metallic brown
68/60835



matt blue
029/41112