

SIT WITH US

NOOVO



bene



NOOVO BY BENE

SIT WITH US

A reinterpretation of the original coffee house chair in an unprecedented sustainable material.

A timeless chair that brings people together and offers many standard design options. Suitable for versatile indoor and outdoor use, it offers a unique combination of sustainability, versatility, durability, individuality and comfort. Five different colours and easily interchangeable seat pad inserts in five different seat pad designs allows the chair to be customised.

DESIGN: Form Us With Love

VARIETY OF COLOURS

THE REINTERPRETED NOOVO
COFFEE HOUSE CHAIR IS AVAILABLE
IN FIVE COLOURS



CHARCOAL



STONE WHITE



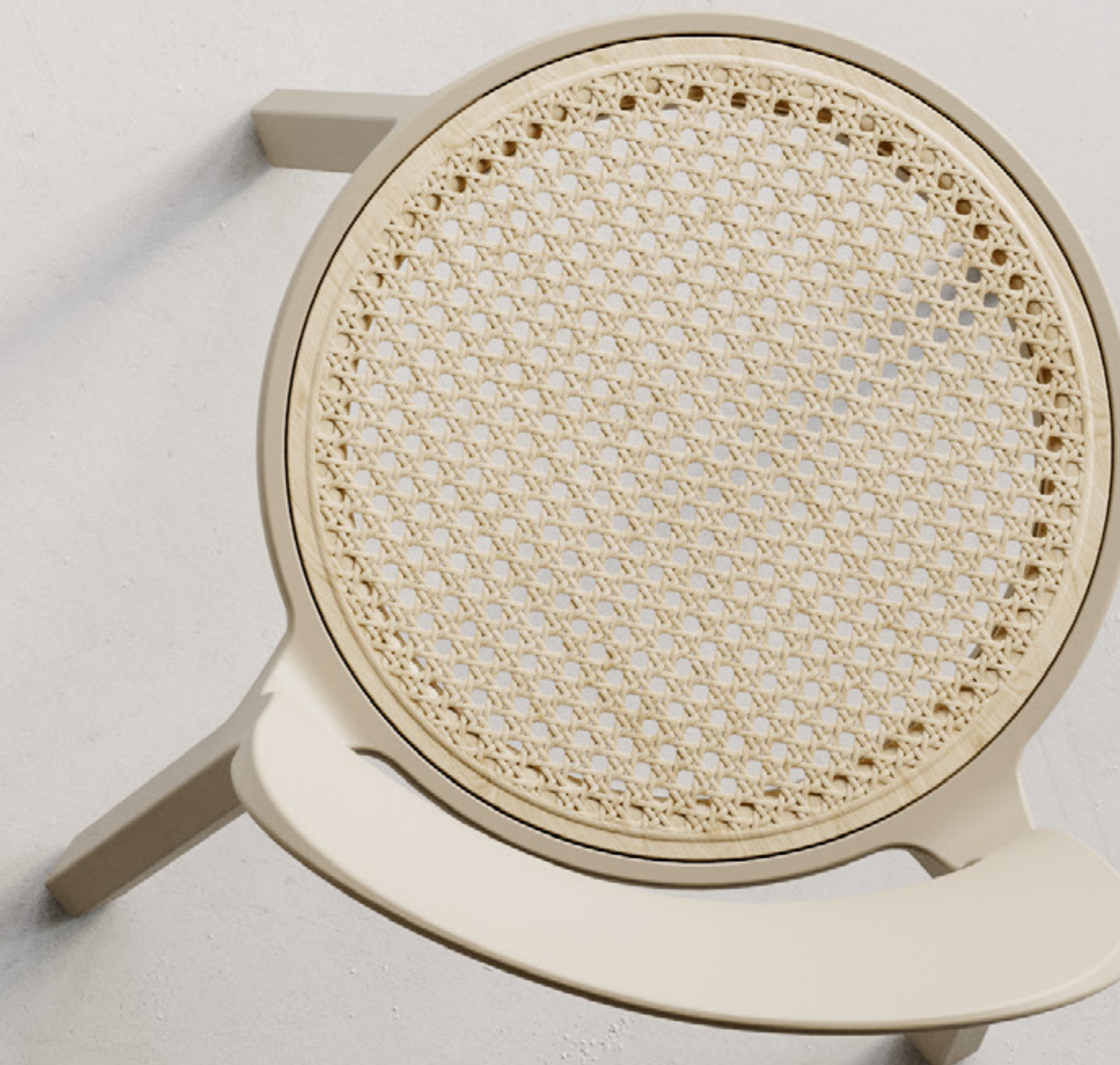
CLAY



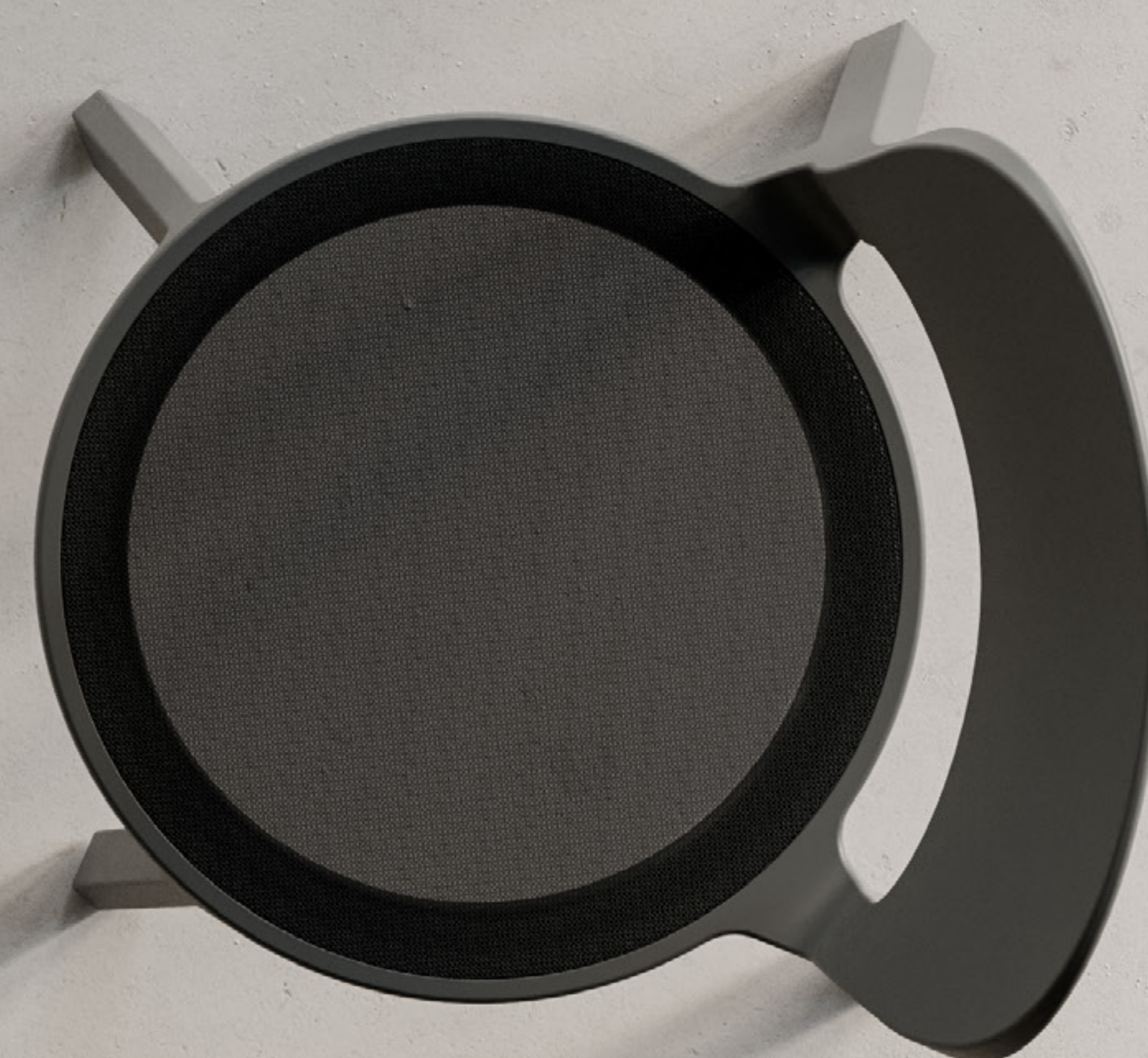
JADE GREEN



ICE BLUE



VERSATILE IN DESIGN AND FUNCTION



CUSTOMISABLE THANKS TO FIVE DIFFERENT SEAT SURFACES

Classic design – countless possible uses: NOOVO can be customised to the functional and design requirements of the respective location by offering five seat surfaces.

Fabric or leather seat:

Seat upholstered in a fabric or leather of your choice from the Bene portfolio.

Viennese wickerwork seat:

Traditional wickerwork in a honeycomb pattern made from rattan, a natural fibre obtained from the rattan palm.

Wooden seat:

Available in the following finishes:
Natural oak, Sylt oak, Vulcano oak, American walnut, Ash

Plastic seat:

Made from recycled polypropylene plastic, available in the five chair colours.

Mesh seat:

Available in black.





SUSTAINABLE THROUGH DURABILITY

100% MADE IN EUROPE

By using post-consumer recycled material, the chair contributes to reducing the ecological footprint. The interchangeability of the seats also significantly increases the product's durability.

The chair is 100% of European manufacture, with all materials being fully traceable.

100 % RECYCLING-MATERIAL 0 % FIBREGLASS

100 % SEPARABLE BY TYPE AND RECYCLABLE

NOOVO is a modern coffee house chair in which, for the first time, no glass fibre has been added to the construction material – recycled polypropylene plastic (PP) – during its production. This makes it possible to recycle the plastic at a later stage and return it to a new product life cycle without any restrictions.





INDOOR AND OUTDOOR

FLEXIBLE AND VERSATILE: THE IDEAL CHAIR FOR INDOOR AND OUTSIDE USE

NOOVO brings people together. Whether for indoor or outdoor use, such as patios or gardens, the chair's base material and the versatility of the seat inserts offer a wide range of possible applications.





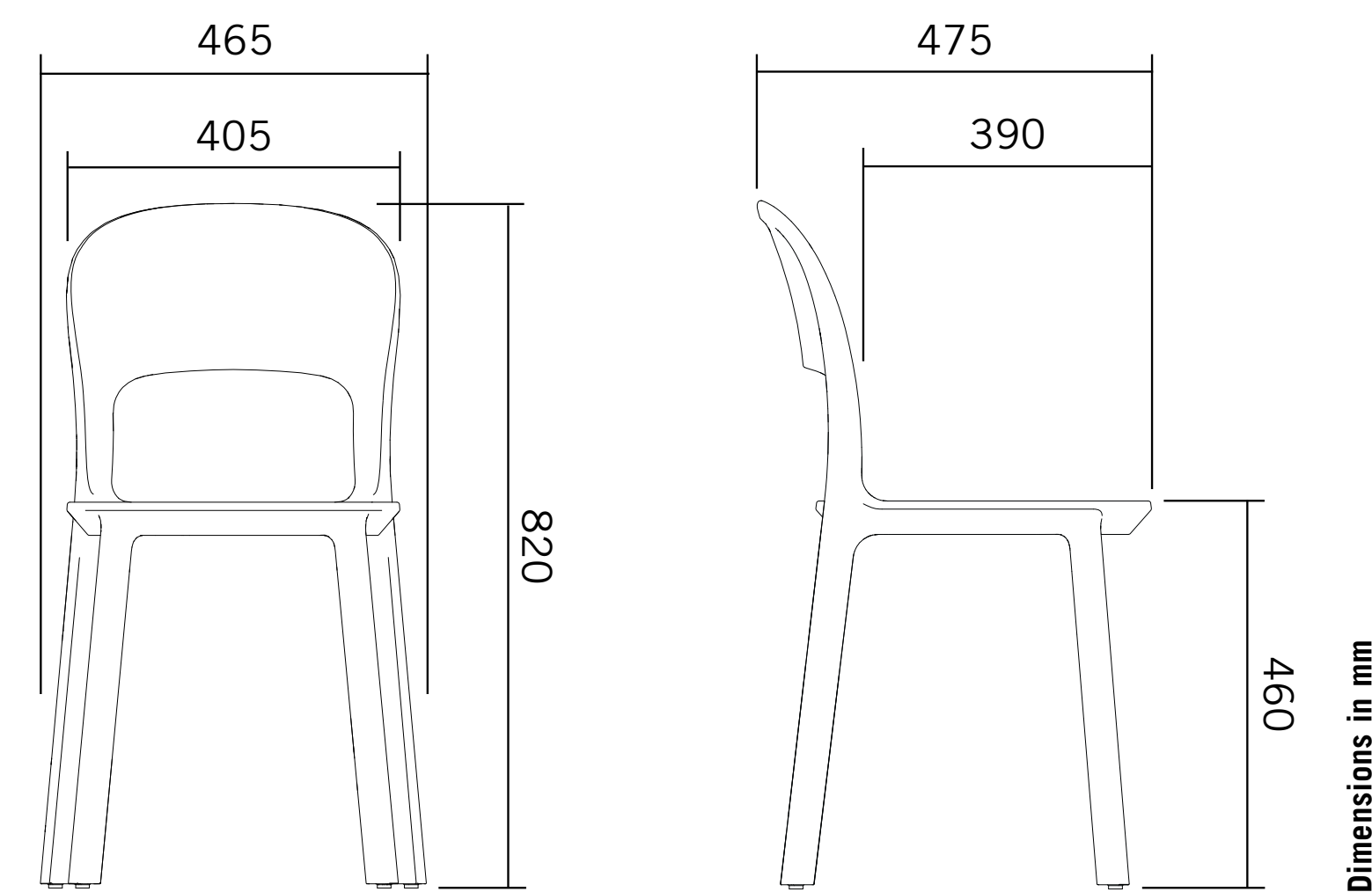
NOOVO OUTDOOR

NOOVO Outdoor is the weather-resistant version and is perfect for outdoor use. The weatherproof chair is available in five different colours and with plastic or upholstered seat with outdoor fabric and foam.

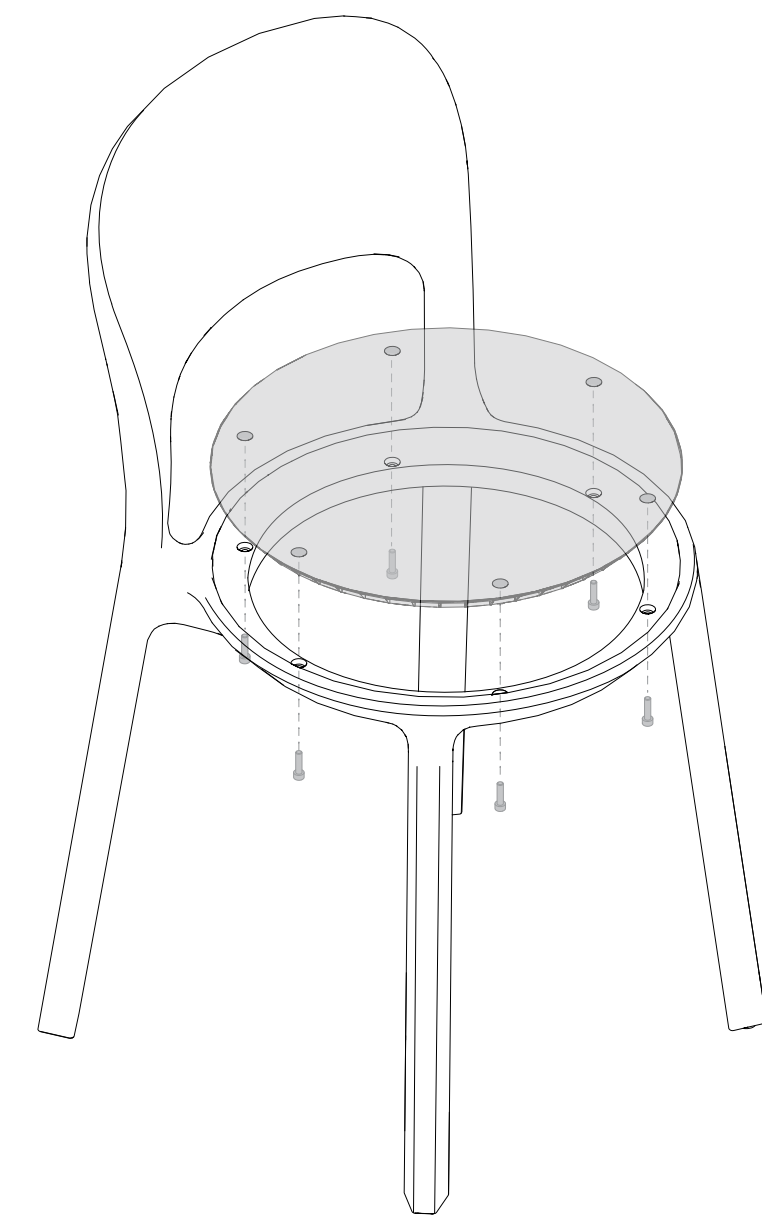


OVERVIEW AND DIMENSIONS

NOOVO



REPLACING THE SEAT



The seat is attached to the chair frame with 6 screws. The replacement can be carried out entirely by the end customer.

COLOURS AND MATERIALS

RECYCLED POLYPROPYLENE IN SOLID COLOURS



Charcoal

Stone white

Clay

Jade green

Ice blue

PLYWOOD VENEERED MATT – OAK, ASH, WALNUT



Oak natural

Oak sylt

Oak vulcano

Ash natural

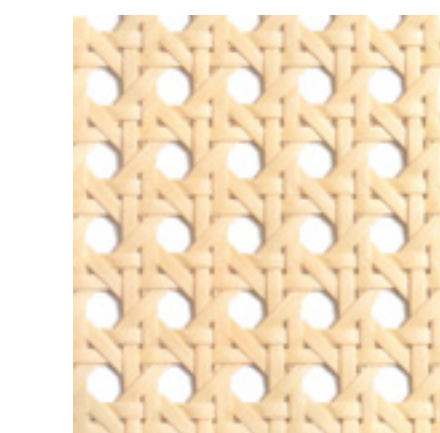
Americ. walnut natural

MESH



Black

VIENNESE WICKERWORK



Natural

FABRIC AND LEATHER



Various fabric collections are available as cover materials.

MATERIAL ORIGIN AND PRODUCTION IN EUROPE:

Fabric collections: Step, Step Melange, Coda, Elle, Artisan, Panama.
Leather collection: Spectrum.

PRODUCTION IN EUROPE, MATERIAL ORIGIN OUTSIDE OF EUROPE:

Fabric collections: Era, Urban Plus, Xtreme Plus, Remix, Europost, Mainline Flax, Assam, Fox, Fiord, Steelcut, Stamskin Top, Hallingdal, Steelcut Trio, Divina Melange, Divina MD, Opera.
Leather collection: Ultra.

More information about the specific collections is available at www.bene.com

Designed by Form Us With Love

WHAT WAS THE INSPIRATION FOR NOOVO?

We believe that the office of tomorrow will remain or become even more flexible, so we set out to create a chair that will function and energize any space where it's placed. From a small touchdown area where I can have a coffee and check my emails to a full canteen.

Working with the idea of designing a chair that needs to cater to this flexible concept, we knew we had to focus on both detail and visual simplicity. One inspiration was to look back at the classic bistro chair, which has that lightness and easy-to-place feel.

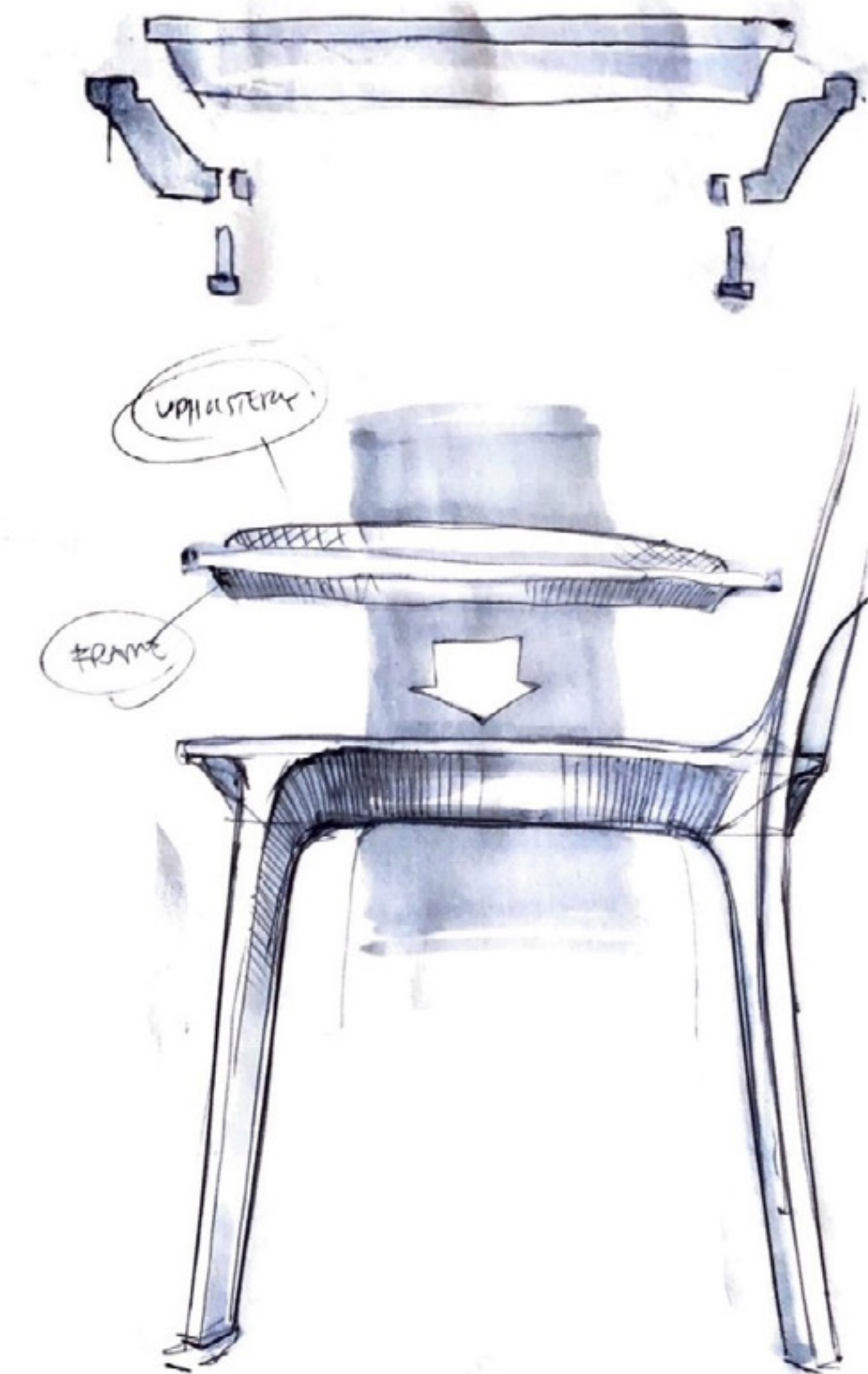


HOW IMPORTANT IS THE SUBJECT OF SUSTAINABILITY FOR NOOVO?

From the very beginning, it was clear to us that we would exclusively use 100% post-consumer recycled material and not contaminate it with other substances. That's why we deliberately decided against adding fiberglass and focused on keeping the monomaterial pure.

This decision brought significant challenges, as the absence of fiberglass required an alternative solution to achieve the necessary rigidity of the product.

To accomplish this, we had to completely rethink and develop the chair. The result is a product that not only impresses with its aesthetics but also consistently embodies sustainable principles.



WHAT MAKES NOOVO UNIQUE AND WHICH CHALLENGES DID YOU FACE DURING THE DESIGN PROCESS?

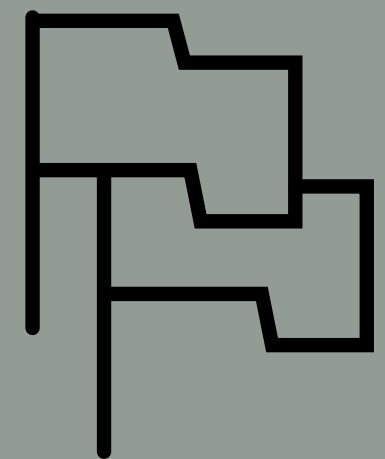
We knew that we wanted NOOVO to be an option for many different scenarios and to end up in various zones and placements, both in semi- or fully public spaces.

Therefore, we made sure to design the chair to be sturdy yet sleek, detailed but cohesive, to fulfill this ambition.

On top of these features, we added an exchange-able seat to further emphasize that this product will meet your everyday needs.



THE BENE RESPONSIBILITY



Approximately 80 % of all raw material supplies originate from Austria, while a further 14 % come from Germany.



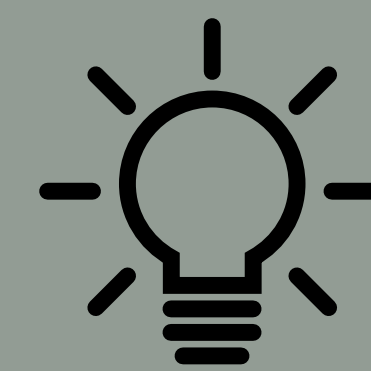
The raw material Bene uses the most is wood (over 90 % from certified forestry).



99,9 % of all deliveries reach us from a European country.



Environmentally friendly materials used and harmful substances and components avoided.



Bene uses biomass for heating – specifically, wood waste from our own production site.



Electricity from renewable energies: hydropower and own PV systems.



ABOUT BENE

We plan and design spaces for people to feel good and enjoy work. Our product portfolio comprises furniture for all sections and areas of the modern office. We develop integrated concepts for our clients that respond to the changing challenges of the working world. We love design. Our high standards in functionality, quality, and design become tangible in each of our products. We are proud to be present in more than 40 countries worldwide as an international brand rooted in Austria. In the future, as we have since 1790, we will rely on the power of innovation to continue our role as a leading provider of inspiring work environments.



02/2025

PUBLISHER'S INFORMATION

Bene GmbH
Schwarzwiesenstraße 3
3340 Waidhofen/Ybbs
Austria



bene

INSPIRING OFFICES. SINCE 1790.