

IDEA BOARD

Multimedia creativity goes mobile and regardless of location and time. The Bene IDEA BOARD integrates the software with a touch-display connected to the FRAME_S Board. So innovative work isn't just mobile; it is also possible in a small space. With the sturdy FRAME_S Board on castors

you can bring the multimedia work space exactly where you need it. A camera built right into the touch-display makes interaction intuitive. The results of innovative presentations and brainstorming sessions are easy to save and share. A new dimension to innovative work.



bene

INSPIRING OFFICES. SINCE 1790.

OVERVIEW

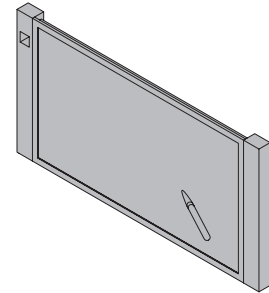
1. TOUCH-DISPLAY

NEC InfinityBoard (suitable for IDEA BOARD)

Large format display measuring at 65 inches with UHD resolution and InGlass™ touch technology for a smooth, paper-like touch performance. Users can write and interact creatively with both a passive stylus, as well as a finger using interactive touch. The pixel-free UHD resolution ensures a great visual experience, even from close-up.

NEC InfinityBoard components

- 65" UHD Touch Display
- OPS Slot-In PC
- Video conference camera
- High-end speaker
- Passive pen (2x)

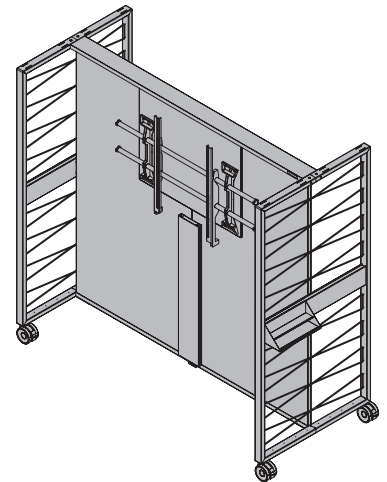


2. FRAME_S BOARD, H-TYPE

The mobile FRAME_S board on castors let you restructure open spaces in new ways.

FRAME_S Board, H-type components

- Frame
- Dividing wall
- Base set
- Cover profile
- Assembly set for CHIEF XSM1U TFT wall-mounted bracket
- CHIEF XSM1U wall-mounted bracket



PRODUCT DESCRIPTION

1. NEC INFINITYBOARD

Large format display measuring at 65 inches with UHD resolution and InGlass™ touch technology for a smooth, paper-like touch performance. Users can write and interact creatively with both a passive stylus, as well as a finger using interactive touch. The pixel-free UHD resolution ensures a great visual experience, even from close-up.



65" UHD Touch Display

Diagonal: 65" (165 cm)
Resolution: 3.840 x 2.160 at 60 Hz
Touch technology: InGlass™ touch technology
Contrast: 1300:1
Brightness: 450 (cd/m²)
Colour: Anthracite
Operating time: 24/7
VESA assembly: 4 holes; 400 mm x 400 mm (FDMI), M8
Energy efficiency class: A

Connectivity

Digital video input: 1x DisplayPort, 2 x DVI-D, 4 x HDMI
Analog audio input: 1 x 3,5 mm audio jack
Digital audio input: 1 x HDMI, DisplayPort
Input signal control:
Remote control cable (3,5 mm jack); 100 Mbit LAN, RS232
Analog audio output: 3,5 mm jack
Output signal control: 100Mbit LAN
Slot technology: OPS



OPS Slot-In PC

Processor: Intel Core i7 6700EQ 8M Cache; 4x 3,4 Ghz
Graphics: Intel® HD Graphics 530
SSD: SATA SSD (Msata) 6Gb/s (MLC), 128 GB
RAM: 8 GB

Interfaces frontside

1x Micro Sim Card; 1x USB 2.0; 1x USB 3.1 Gen1 Type C;
2x Antenna for WiFi; 2x DisplayPort 1.2 ++; 2x USB 3.0;
RJ45 10/100 /1.000 Mbps; OS: Windows 10 Professional

Interfaces backside

Internal HDMI 1.4 or DisplayPort 1.2; Internal OPS interface to OPS slot-in PC (JAE 80-pin connector); Wi-Fi Intel Dual Band Wireless-AC 8260 802.11ac, dual band; Wi-Fi and bluetooth 4.2 adapter



Video conference camera

High-resolution USB 3.0 Huddly camera
152° diagonal, 120° horizontal, 92° vertical viewing angle
16 Megapixel sensor / 720p HD 30fps output, 16:9



High-end speaker from SEAS

Maximum input power: 40 W
Nominal impedance of the speaker: 80 hm
Frequency range: 70 Hz - 15 kHz
Sound pressure level: 2,83 V



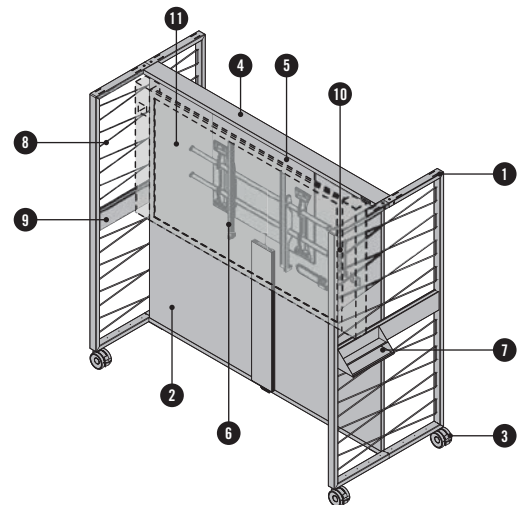
Display pen input

Passive pen (2x)
With practical ergonomics, like a pencil. 2 mm intelligent tip for a natural writing experience.

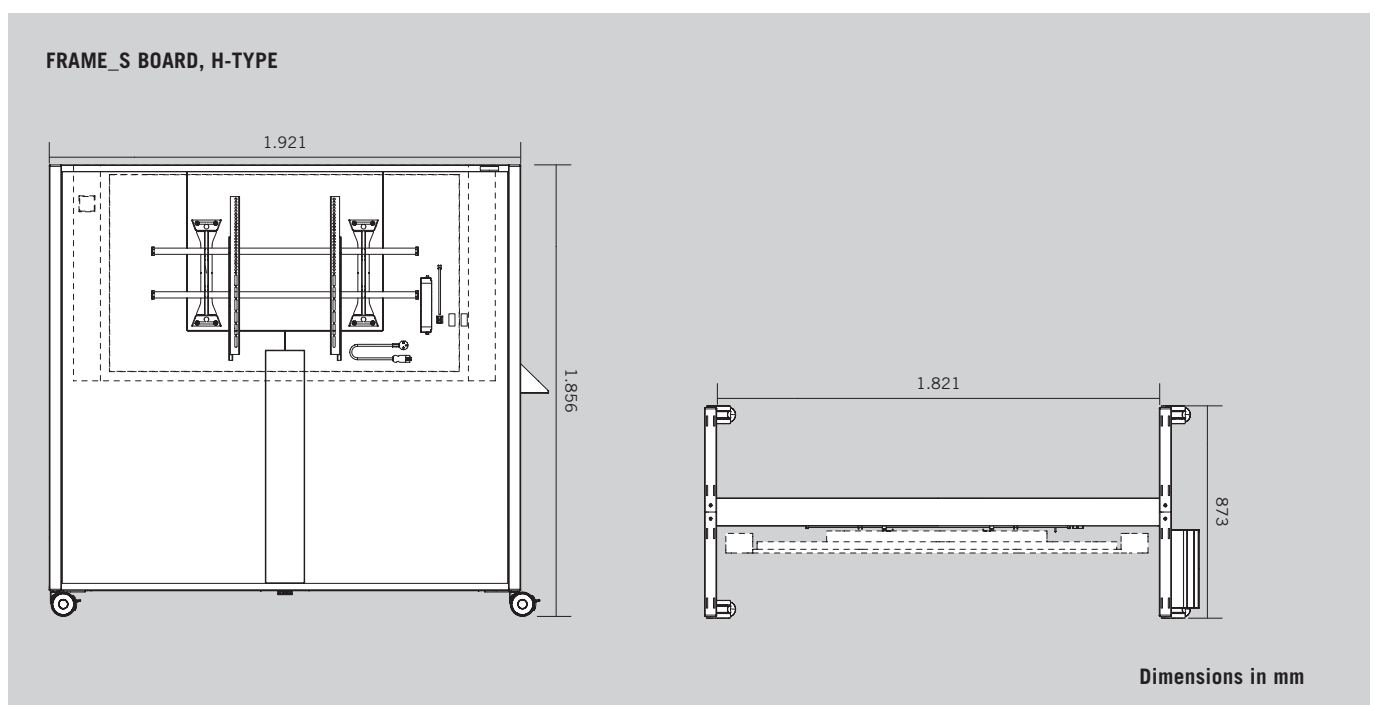
PRODUCT DESCRIPTION

2. FRAME_S BOARD, H-TYPE

- ❶ **Frame:** Metal frames consisting of two half sections.
Height 1.734,5 mm and width 860 mm
Surface: white, powder-coated
- ❷ **Dividing wall:** Width 1.821 mm
surface: Melamine, MW white
- ❸ **Base set:** Base set consists of 4 castors with locks
Surface: Plastic, white
- ❹ **Cover profile:** (with organisation profile below)
- ❺ **Assembly set for CHIEF XSM1U TFT wall-mounted bracket**
- ❻ **CHIEF XSM1U wall-mounted bracket:** maximum load
on FRAME_S Board 96 kg, on the wall 114 kg
- ❼ **Steel cup short with metal insert:** Surface WI white
- ❽ **Railing:** Material / Colour Aluminium WI white, powder-coated
- ❾ **Decorative elastic cord:** Wire hooks for attaching the cord
- ❿ **3-way connection plug board:** with 5 m starter cable
- ⓫ **Display NEC InfinityBoard**



DIMENSIONS



For cabling, see the instructions or www.build.bene.com.