

# U-TURN

## THE MOBILE ALL-ROUNDER

U-TURN is the ideal seat for workshop areas. The swivel action tabletop offers ample space for placing a laptop or other work tools. When not in use, items can be stowed away in a storage box beneath the flip top seat, with just one flick of the wrist. A version of the U-TURN with castors offers

even greater flexibility and mobile movement. U-TURN is also suitable for use in classic workplaces, particularly the version on glides. The raised seating position makes U-TURN the ideal seat for use with electronic or manual height-adjustable tables.

**Design: Christian Horner**

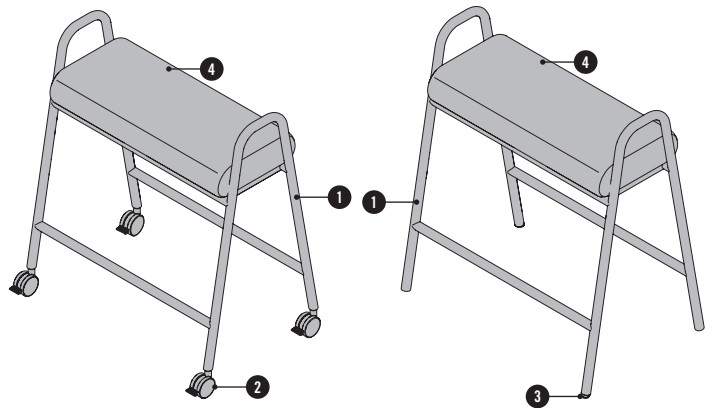


**bene**

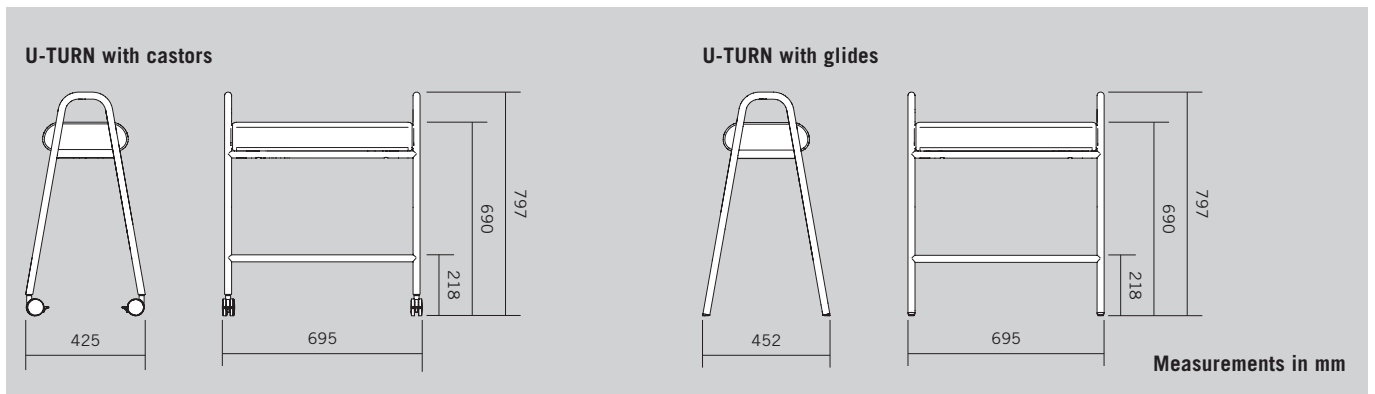
INSPIRING OFFICES. SINCE 1790.

## PRODUCT DESCRIPTION

- 1 **Frame:** Metal powder-coated in SZ black
- 2 **Castors:** Plastic in SZ black, braked
- 3 **Glides:** Felt
- 4 **Seat:** Covers are available in the fabric groups P0 - P4, according to Bene seating furniture collection. Cushion with dimensionally stable polyurethane foam padding, flame-resistant pursuant to BS 5852 Part 2, Ignition Source 5 (Crib 5).



## OVERVIEW AND DIMENSIONS



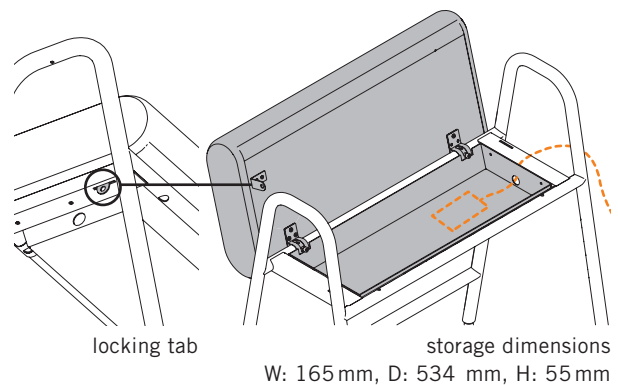
## OPTIONS

### HINGED SEAT WITH STORAGE COMPARTMENT

A hinge on the frame makes it possible to flip up the seat to access additional storage space for personal items or for a power bank to charge electronic devices.

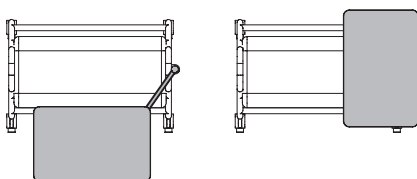
A cable feedthrough on the narrow end enables tidy cable routing even when the seat is closed.

The locking tab makes it possible to attach a combination lock. (not included in the delivery)

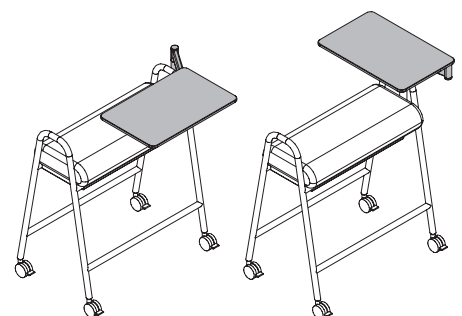


### TABLE

Swivelling table attachment supported by two pivots. Maximum load 3 kg. The table attachment can also be retrofitted.



Dimension: W: 500 mm, D: 320 mm, H: 367 mm  
Colour & material: Fenix black, 12 mm compact board



## COLOURS & MATERIALS



All fabric and leather collections are available as reference material:  
Urban Plus, Xtreme Plus, Step, Step Melange, Patina, Remix, Europost, Clara, Mainline Flax, Fiord, Divina, Steelcut, Stamskin Top, Hallingdal, Steelcut Trio, Divina Melange, Divina MD, Greenwich and Greenwich Uni.

More information about the specific fabric collections is available at [www.bene.com](http://www.bene.com).

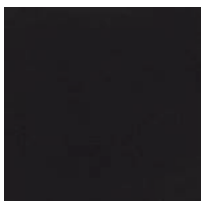
---

### METAL SURFACE POWDER-COATED



SZ black

### FENIX™



black