

FREE DESK

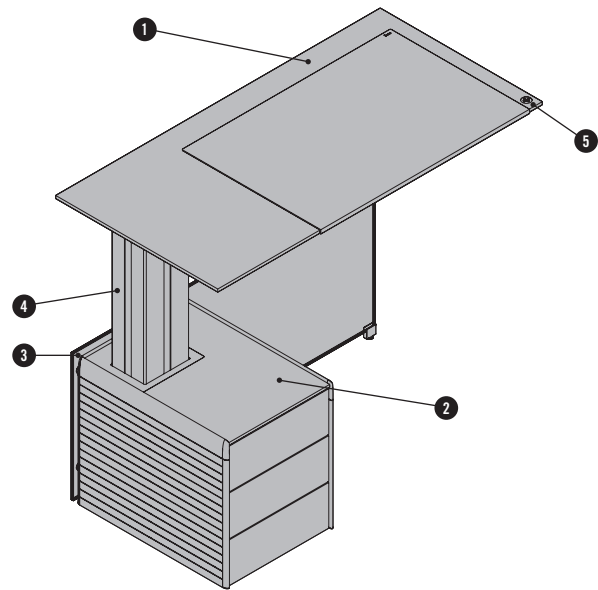
High-quality furniture for personal and concentrated work in management. The Free Desk is designed as a premium computer workplace. The electrical height adjustability of the table enables spontaneous switching between standing and sitting heights.

Legroom and comfort are ensured through the off-centre placement of the corpus elements. The furniture can be adjusted to the AL or P2 range and integrated into the management office space concept.



PRODUCT DESCRIPTION

- ❶ **Table top:** 13 mm compact top/39 mm chipboard
- ❷ **Pedestal:** For AL, AL-K or P2 types. Left or right possible
- ❸ **Front/sliding panel:** The front/sliding panel functions as a support element and is attached to the rear wall of the pedestal with 4 screws. It has a height-adjustable leg on the free-standing side. Width: 1.300 mm, Height 550 mm. Material: 19 mm chipboard or 11 mm LSG.
- ❹ **Electric lift column:** In 3 fixed heights, or electrically height adjustable between 720 and 1.180 mm.
- ❺ **Manual switch:** With Up/Down function, milled flush with the table top. Enclosure and keys in black.



HEIGHT ADJUSTMENT

Maximum load

60 kg (including PC, PC holder, printer extensions, table panel, etc.)

Control type CBD6S

Input / output power supply: 230 V, 50 Hz

Operating time: max. 10% ~2 min./18 min., max. 2 minutes continuous operation followed by 18 minutes of inactivity

Protection class: 5 A

Protection class: II

Noise: 54 dB (Lp, A acc. to EN ISO 7779)

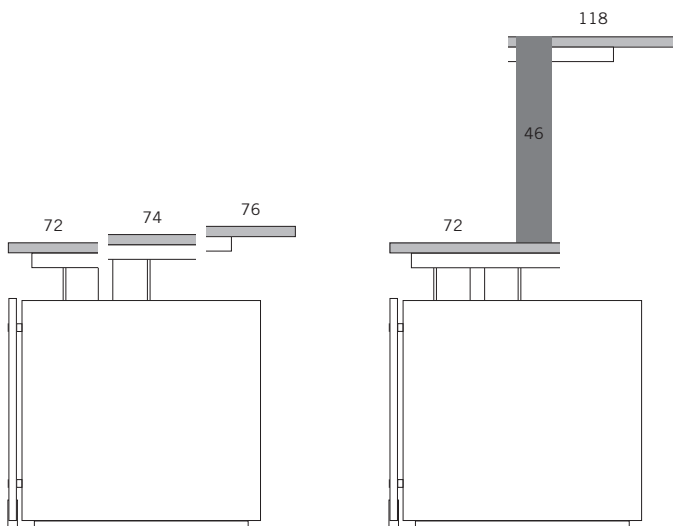
Lift speed: 43 mm/s (without load)

Ambient temperature: +5°C to +40°C

Lift: 460 mm (standard)

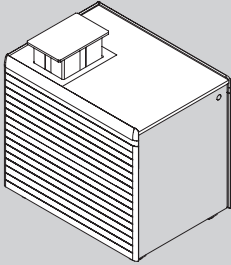
Reference values for power consumption

	Load	Power consumption
Standby:		0.1 watt
Upward lift:	0 kg	approx. 60 watt
Upward lift:	60 kg	200 watt



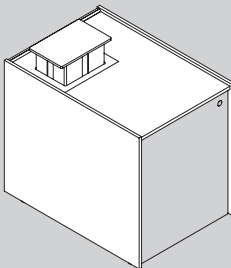
OVERVIEW & DIMENSIONS

PEDESTAL – CARCASS for Free Desk, AL



Visible sides: flat aluminium, anodised
Rear wall: flat aluminium, anodised
Inner sides: 16 mm chipboard
Desk top + flap: 16 mm chipboard
Dimensions: Width 466 mm,
depth 650 mm, height 580 mm

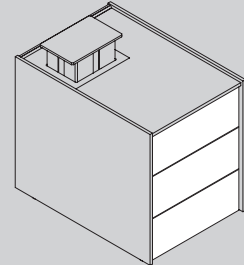
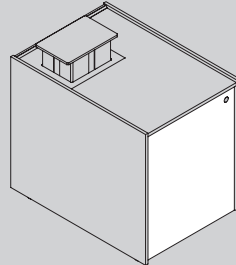
for Free Desk, AL-K or P2



Visible sides: 12 mm chipboard
Rear wall: 16 mm chipboard
Inner sides: 16 mm chipboard
Desk top + flap: 16 mm chipboard
Dimensions: Width 462 mm,
depth 650 mm, height 580 mm

The carcass is always fitted with a connection plug board and a 2.000 mm starter cable.

PEDESTAL – FRONT



Hinged door or drawer. With optional electric lock.
Interior design is in white melamine (MW) or basalt melamine (MB). If the front is veneer, the interior can also be matched to the front.

Hinged door front: The carcass is always fitted with a central shelf. The door is opened using a soft push latch (mechanical support for opening).

Drawer front: Always has 3 fully extendable metal drawers with soft push latches.

RECTANGULAR TABLE TOP RE

Width: 1.400 mm / depth 700 mm



OPTIONS

WRITING SURFACE IN LEATHER

The surface can be moved towards the pedestal, revealing a notebook shelf.

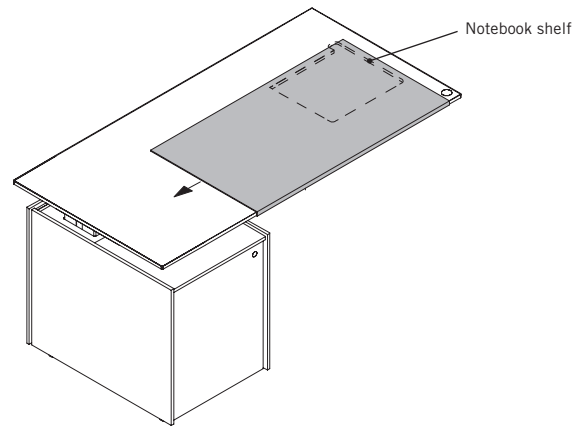
Colour of writing surface: black

The cabling package is included.

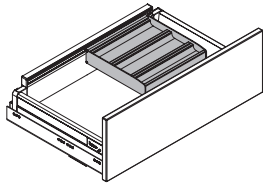
Writing surface dimensions: W / D: 600/500 mm.

Maximum dimensions for notebook, incl. docking station:

W / D / H: 395/400/720 mm.



LEATHER TRAY



If the version with drawers is selected, the top drawer can also have an organisation element.

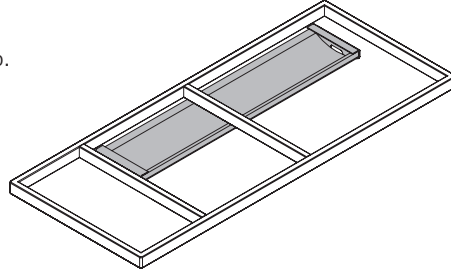
The leather tray is clipped into the organisation rail at the rear wall of the drawer.

Material & colour: leather, black.

CABLE TRAY

Foldable, for cabling under the table top.

Colour: black.

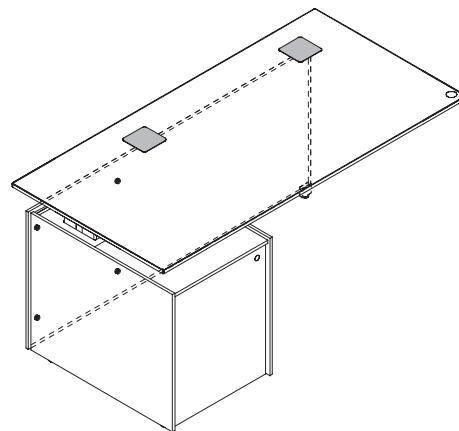


CABLE OUTLET

Up to 2 per table possible, positioned left and/or right.

The cabling package is included.

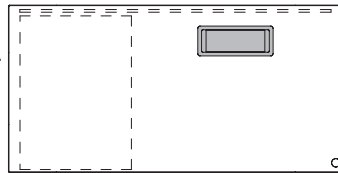
Version with AL anodised aluminium cover.



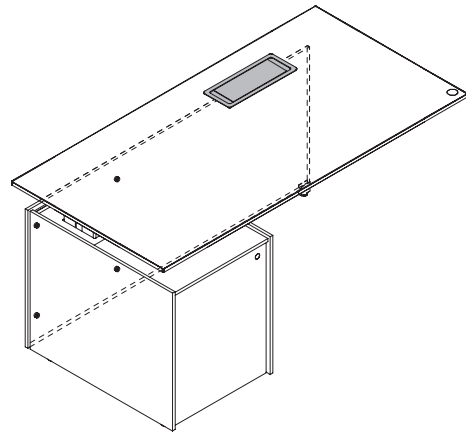
OPTIONS

PLUGBOX

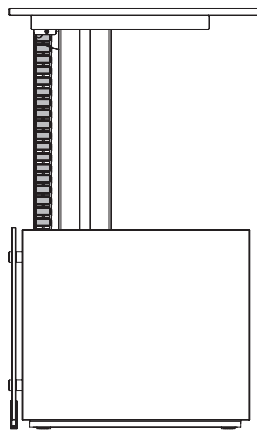
Up to 1 per table possible,
always centred to the sitting position.



Version: AL anodised aluminium, flush to the table top.
Not possible in combination with leather writing surface.



CABLE CHAIN



Ensures easy cabling of the height-adjustable Free
Desk; runs behind lift column.
Colour: black.

INSPIRATIONS



AL-K Free Desk with melamine table top and anodised aluminium cable outlet, as well as movable leather writing surface with integrated notebook shelf and connection plug board. Pedestal with three drawers, entirely in veneer.



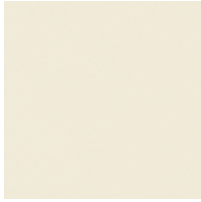
AL Free Desk with veneer table top and front/sliding panel in 11 mm LSG smoked glass. Pedestal with one hinged door, anodised aluminium carcass, front and top in veneer.

COLOURS & MATERIALS

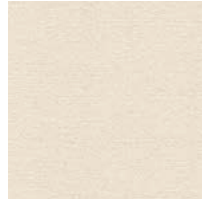
MELAMINE: Basic colours



MW white



MQ office white



MC canvas³



MP platinum^{2,3}



MA aluminium³

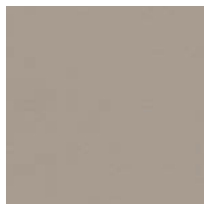


MS slate^{2,3}

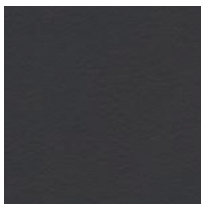


MB basalt

MELAMINE: Additional basic colours

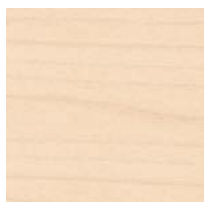


TM clay

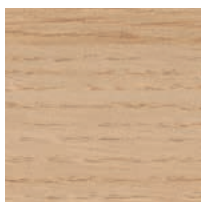


MT anthracite

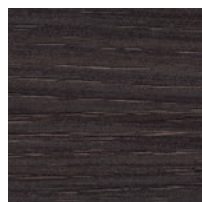
MELAMINE: Décor colours



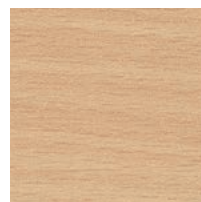
AR maple¹



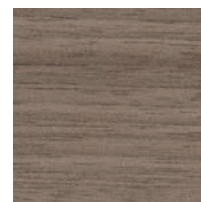
EI oak¹



EC oak moreda¹

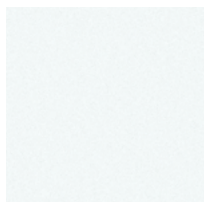


BH beech light¹

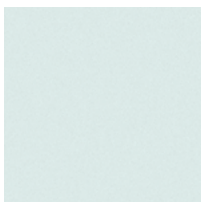


NG walnut grey

GLASS



KS clear glass



ST satinato white



DP smoked glass

¹not available for compact desk top

²not available for duo-edge

³not available for 3 mm edge, single colour

BENE WORKS SUSTAINABLY

Bene plays a leading role in responsible environmental management. It is practised throughout all company divisions—from product development, procurement, production and logistics to product recycling. Bene considers ecology to be a central element of its responsible and sustainable corporate strategy. Bene sees the legal regulations as minimum requirements and strives for better and more sustainable environmental protection throughout the group. The Bene principle in environmental policy is: **Avoidance — Minimisation — Recycling — Disposal.**

FREE DESK – ECOLOGICAL STANDARDS

- 86.6% recyclable
- 34.1% renewable raw materials
- 39.14% use of recycled product materials (25.91% post-consumer, 13.23% pre-consumer)
- 31.41% use of recycled product materials that comply with LEED (25.91% post-consumer, 13.23% pre-consumer)
- Resource-conserving product design
- Use of certified wood (chain of custody)
- Use of materials tested for presence of hazardous substances
- No PVCs, chromium, lead or mercury
- Individual parts can be sorted according to homogeneous categories
- Recyclable, with a positive contribution to the carbon footprint(average 92.89 kg CO₂)

FREE DESK LEED POINTS

Leadership in Energy and Environmental Design (LEED) is a system developed by the U.S. Green Building Council to classify ecological construction. As an internationally recognised standard, LEED sets out numerous guidelines for environmentally friendly, resource-efficient, and sustainable construction. The use of Free Desk is an important contribution to LEED certification. The following criteria for this are from “LEED 2009 for Commercial Interiors”:

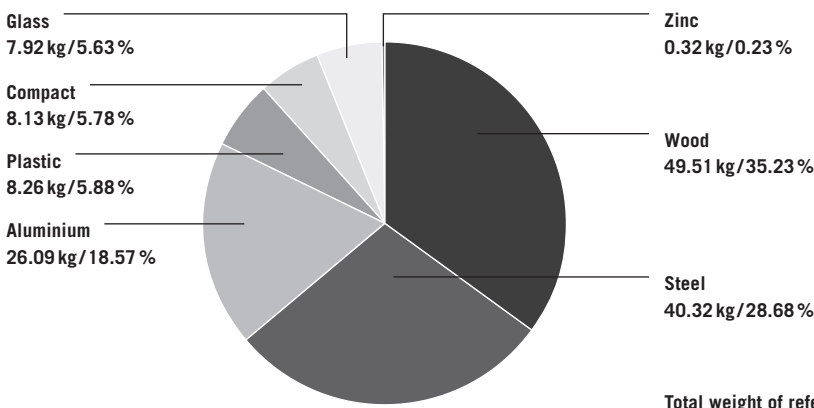
MR Credit 4 Recycling share up to 2 points

MR Credit 5 Regional materials up to 2 points

MR Credit 7 Certified wood up to 1 point

IEQ Credit 4.5 Material with low hazardous substance content up to 1 point

FREE DESK MATERIAL COMPONENTS*



Environment-related information about Bene: www.bene.com/sustainability

