

CLUB CHAIR

An exclusive chair for classic communication zones and management areas. Elegant and comfortably upholstered, the Club Chairs offer attractive seating for open, relaxed work. The rounded „full-base“ conical frame has a distinctive shape. Particularly suited to reception lounges and waiting areas as

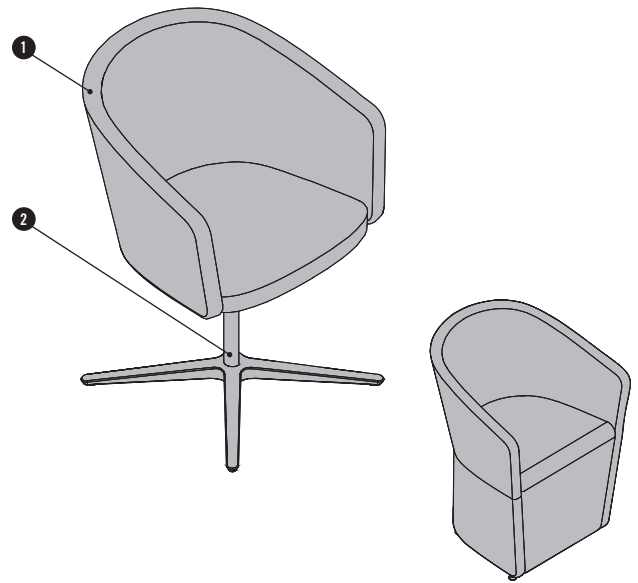
well as management offices and classic communication zones. The Club Chair is also available with a mid-height back rest and as a „lighter“ model with a swivel base. A mid-height backrest is also available in a middle-high version. As a “lighter” model, the chair is available with a swivel base.

Design: PearsonLloyd



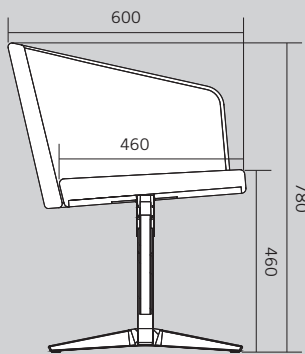
PRODUCT DESCRIPTION

- 1 Seating shell and upholstery:** With fabric or leather covering, always with double stitched padding: All upholstered elements (CMHR) are fire resistant and made of moulded polyurethane foam, with a metal frame substructure. Optional high backrest.
- 2 Swivel Star-base:** Pneumatic spring without height adjustment option, return mechanism included. Swivel base, 4-star, polished die casting, on plastic or felt glides. Pneumatic spring in CR chrome and chair base in AL aluminium.

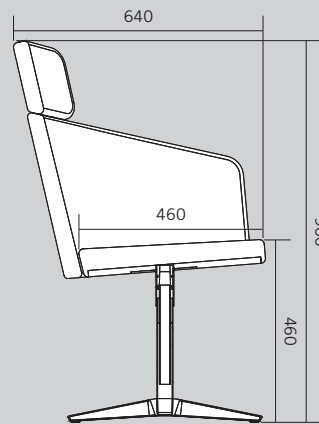


OVERVIEW & DIMENSIONS

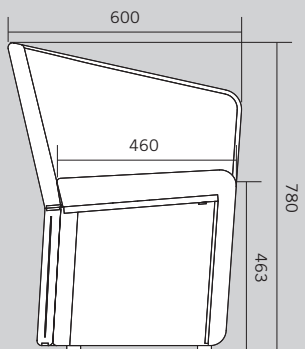
CLUB CHAIR WITH SWIVEL STAR BASE AND LOW BACK



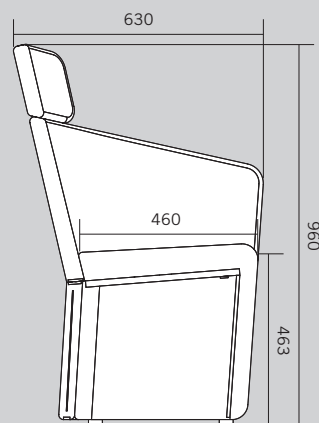
CLUB CHAIR WITH SWIVEL STAR BASE AND HIGH BACK



CLUB CHAIR



CLUB CHAIR WITH HIGH BACK



Measurements in mm

INSPIRATIONS



Club Chair with swivel star-base with Toguna Circle small and Club Table.



Club Chair, swivel star base low and TIMBA Table 2.400x1.400 mm with Power Bowl.

COLOURS & MATERIALS



Various fabric and leather collections are available for the cover: Urban Plus, Xtreme Plus, Step, Step Melange, Patina, Remix, Europost, Clara, Mainline Flax, Divina, Steelcut, Stamskin Top, Fiord, Hallingdal, Steelcut Trio, Divina Melange, Divina MD, Greenwich, Greenwich Uni, Entrée, Entrée Color and Superior.

More information about the specific fabric and leather collections is available at www.bene.com.

BENE WORKS SUSTAINABLY

Bene plays a leading role in responsible environmental management. This policy is practised throughout all company divisions – from product development, procurement, production and logistics to product recycling. Bene considers ecology to be a central element of its responsible and sustainable corporate strategy. Bene sees the legal regulations as minimum requirements and strives for better and more sustainable environmental protection throughout the group. Bene's environmental policy principle is: **Avoidance – Minimisation – Recycling – Disposal.**

CLUB CHAIR - ECOLOGICAL STANDARDS

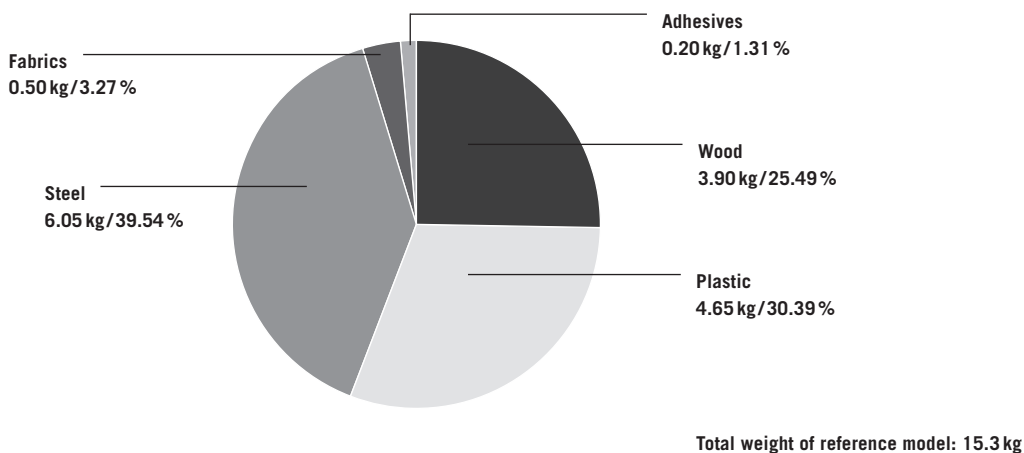
- 98.70 % recyclable
- 28.80 % renewable raw materials
- Resource-conserving product design
- Use of certified wood (chain of custody)
- Use of materials tested for presence of hazardous substances
- No PVCs, chromium, lead or mercury
- Individual parts can be sorted according to homogeneous categories
- Recyclable, with a positive contribution to the carbon footprint(average 7.2 kg CO₂)

CLUB CHAIR LEED POINTS

Leadership in Energy and Environmental Design (LEED) is a system developed by the U.S. Green Building Council to classify ecological construction. As an internationally recognised standard, LEED sets out numerous guidelines for environmentally friendly, resource-efficient, and sustainable construction. The use of Club Chair is an important contribution to LEED certification. The following criteria for this are from »LEED 2009 for Commercial Interiors«:

MR Credit 4	Recycled content	up to 2 points
MR Credit 5	Regional materials	up to 2 points
MR Credit 7	Certified wood	up to 1 point

CLUB CHAIR MATERIAL COMPONENTS



Environment-related information about Bene: www.bene.com/sustainability

