

FILO CHAIR

The Filo Chair embodies a new office chair type with very comfortable seating for conference, meeting and executive areas, as well as for workstations in the front office. The Filo Chair offers permanent flexibility: Filo reacts synchronously to the user's mi-

cro-movements and becomes a tool for concentration. Lightness and finesse are hidden in the design.

Design: E00S



bene

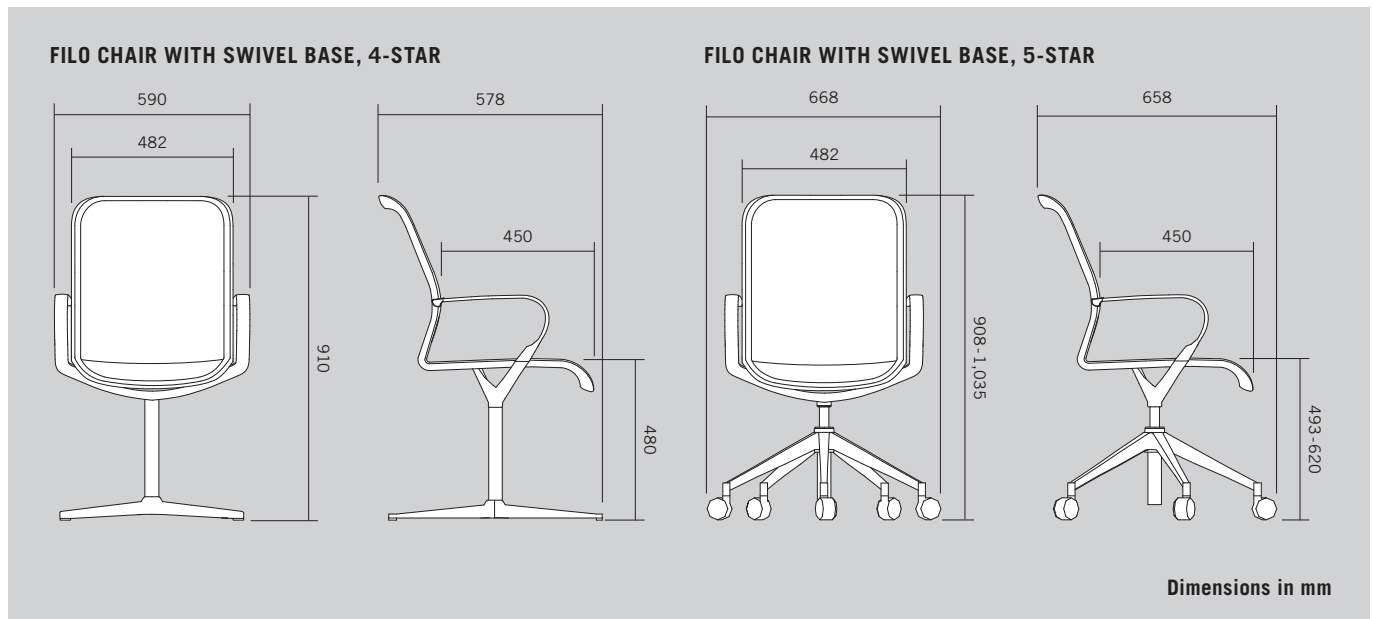
INSPIRING OFFICES. SINCE 1790.

PRODUCT DESCRIPTION

- ❶ **Backrest:** Optionally covered with mesh, upholstered with polyurethane and covered with fabric or leather. If the backrest is configured with upholstery, the seat surface is also upholstered.
- ❷ **Seat upholstery:** Optionally covered with mesh, or upholstered with polyurethane and covered with fabric or leather.
- ❸ **Frame:** In polished aluminium or powder-coated in matt black. Available in two versions:
 Five-star swivel base: on castors, continuously height adjustable using gas pressure spring. Hard castors for soft floors or soft castors for hard floors.
 Four-star swivel base: on glides, with included return mechanism. Glides are available as plastic or felt glides.
- ❹ **Armrests:** Made of plastic (polyoxymethylene) in black. Armrest pads optionally available in leather. If the chair is covered in fabric or mesh, the armrest pad can be chosen in leather from the price group L1. If the seat surface is chosen in L2 or L3 leather, the armrest can be configured in the same colours or in the black of the same price group.

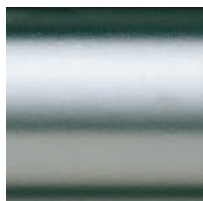


OVERVIEW AND DIMENSIONS



COLOURS & MATERIALS

ALUMINIUM NATURAL



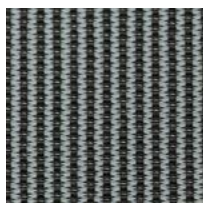
AP alu. polished

METAL SURFACE POWDER-COATED



SS black matt

NET - FILO



SZ black

FABRIC AND LEATHER



Various fabric collections are available for the cover: Era, Urban Plus, Xtreme Plus, Rondo, Step, Step Melange, Patina, Remix, Europost, Clara, Mainline Flax, Fox, Fiord, Divina, Steelcut, Hallingdal, Steelcut Trio, Divina Melange, Divina MD, Greenwich, Greenwich Uni. Various leather collections: Entrée, Entrée Color, Superior. More information about the specific fabric and leather collections is available at www.bene.com.

